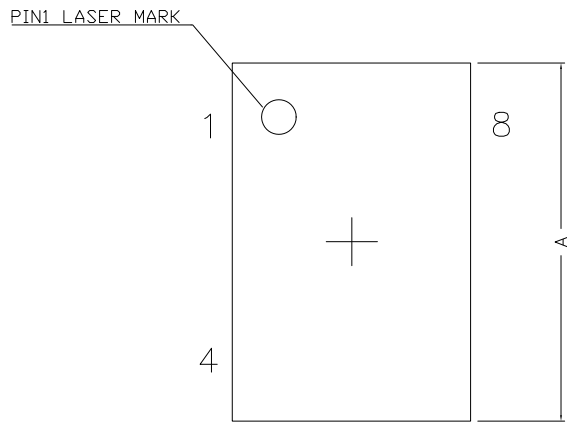
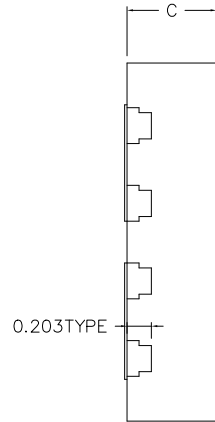


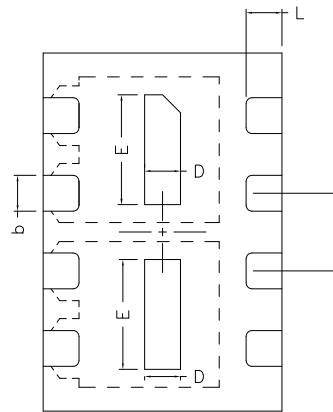
| REVERSION | REVERSION RECORD                   | DATE       | NAME   |
|-----------|------------------------------------|------------|--------|
| A         | NEW DRAW                           | 2021.08.23 | ChenYJ |
| B         | UPDATE PIN5-8 INTERNAL CONNET SHOW | 2022.04.24 | ChenYJ |
| C         | ADD PLATING LAYER DIMENSION        | 2022.7.20  | ChenYJ |



TOP VIEW



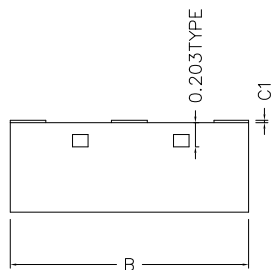
SIDE VIEW



BOTTEM VIEW

COMMON DIMENSIONS  
(UNITS OF MEASURE IS mm)

|    | MIN        | NORMAL | MAX   |
|----|------------|--------|-------|
| A  | 2.900      | 3.000  | 3.100 |
| B  | 1.900      | 2.000  | 2.100 |
| C  | 0.700      | 0.750  | 0.800 |
| C1 | 0.005      | -      | 0.020 |
| D  | 0.250      | 0.300  | 0.350 |
| E  | 0.870      | 0.920  | 0.970 |
| L  | 0.350      | 0.400  | 0.450 |
| b  | 0.250      | 0.300  | 0.350 |
| e  | 0.650 TYPE |        |       |



SIDE VIEW



深圳市金誉半导体股份有限公司  
SHENZHEN JINYU SEMICONDUCTOR CO.,LTD

| THIRD ANGLE PROJECTION |     |      |       | SCALE    | 1:1    | UNIT      | mm | APPROVALS |              |              | DATE |
|------------------------|-----|------|-------|----------|--------|-----------|----|-----------|--------------|--------------|------|
| TOLERANCE              |     |      |       | DESIGNER | ChenYJ | 2022.7.20 |    | DATE      |              |              |      |
| 0                      | 0.0 | 0.00 | 0.000 | CHECKER  | XieWH  | 2022.7.20 |    | DRG NO.   | JY-POD-47    | REV: C       |      |
|                        |     |      |       | APPROVER | LinHB  | 2022.7.20 |    | FILE NO.  | JY-RE-022-47 | SHEET:1 OF 1 |      |

DFN2x3-8L-C 0.75T  
0.65 PITCH