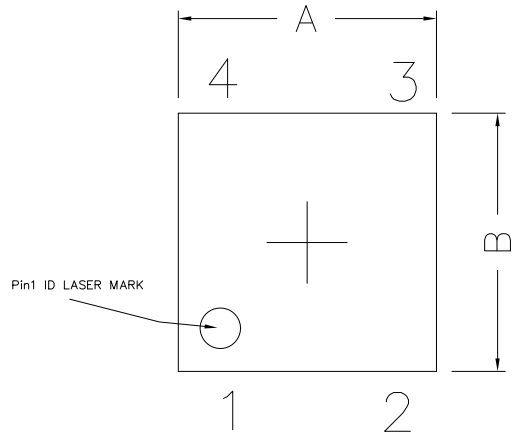
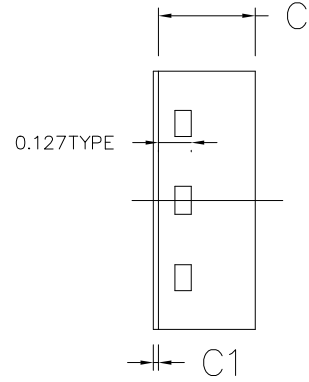


REVERSION	REVERSION RECORD	DATE	NAME
A	NEW DRAW	2021.11.24	ChenYJ
B	ADD PLATING LAYER DIMENSION	2022.7.20	ChenYJ

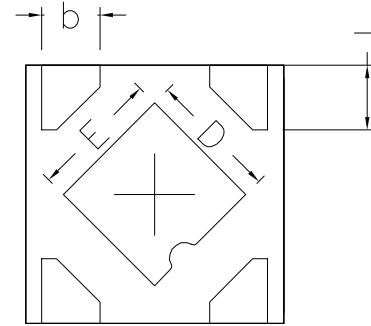
COMMON DIMENSIONS (UNITS OF MEASURE IS mm)			
	MIN	NORMAL	MAX
A	0.950	1.000	1.050
B	0.950	1.000	1.050
C	0.350	0.375	0.400
C1	0.005	-	0.020
D	0.450	0.500	0.550
E	0.450	0.500	0.550
b	0.175	0.225	0.275
L	0.200	0.250	0.300
e	0.650 TYPE		



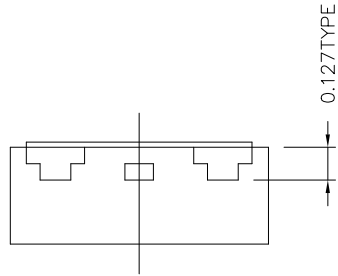
TOP VIEW



SIDE VIEW



BOTTEM VIEW



SIDE VIEW



深圳市金誉半导体股份有限公司
SHENZHEN JINYU SEMICONDUCTOR CO.,LTD

DFN1X1-4L 0.375T
0.65 PITCH

THIRD ANGLE PROJECTION				SCALE	1:1	UNIT	mm
TOLERANCE				APPROVALS			DATE
0	0.0	0.00	0.000	DESIGNER	ChenYJ	2022.7.20	
				CHECKER	XieWH	2022.7.20	
				APPROVER	LinHB	2022.7.20	

DRG NO.	JY-POD-48	REV: B
FILE NO.	JY-RE-022-48	SHEET:1 OF 1