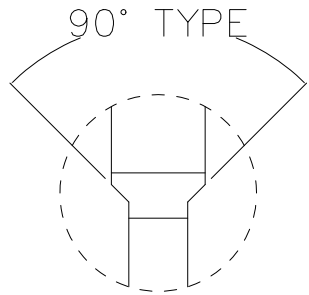
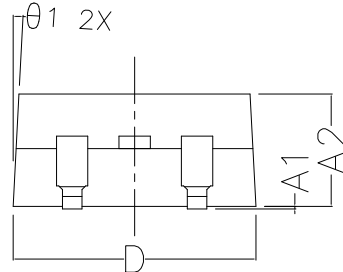


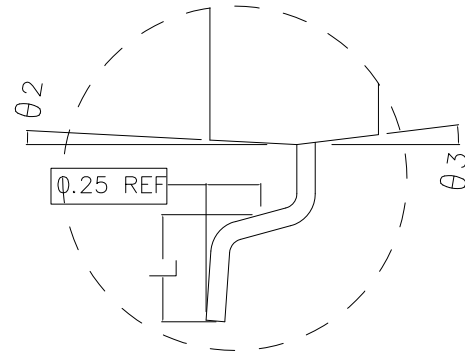
REVERSION	REVERSION RECORD	DATE	NAME
A	NEW DRAW	2019/1/12	Kang
B	UPDATE 'E1' 'L4' DIMENSION	2021/7/7	ChenYJ
C	UPDATE 'E2' 'D1' 'D2' DIMENSION	2024/2/19	ChenYJ



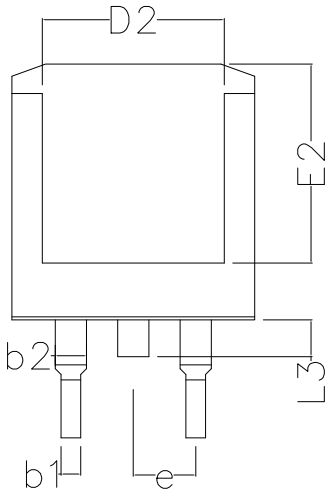
DETAIL F



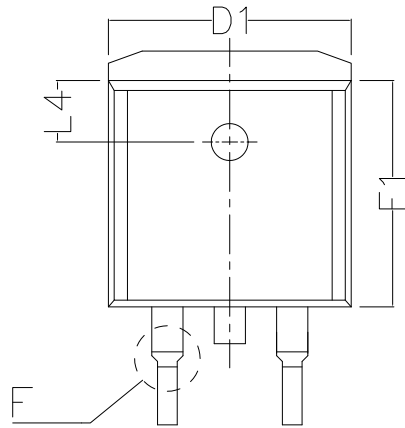
SIDE VIEW



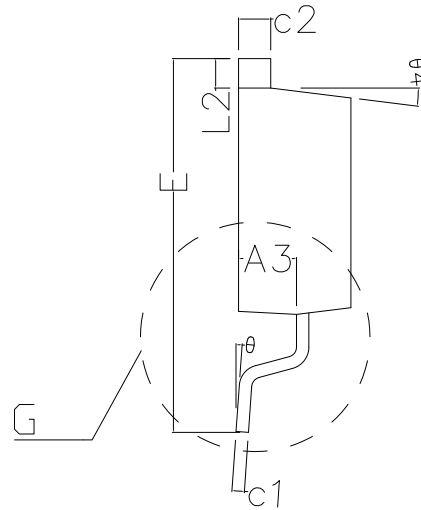
DETAIL G



BOTTOM VIEW



TOP VIEW



SIDE VIEW

COMMON DIMENSIONS
(UNITS OF MEASURE IS mm)

	MIN	NORMAL	MAX
A1	0.020	0.100	0.200
A2	4.470	4.570	4.670
A3	2.300	2.350	2.400
b1	0.750	0.800	0.850
b2	1.220	1.270	1.320
c1	0.450	0.500	0.550
c2	1.250	1.300	1.350
D	9.900	10.000	10.100
▲ D1	9.780	9.880	9.980
▲ D2	7.900	8.000	8.100
E	14.900	15.100	15.300
▲ E1	9.000	9.100	9.200
▲ E2	7.600	7.700	7.800
e	2.540TYPE		
L	2.100	2.300	2.500
L2	1.100	1.200	1.300
L3	1.300	1.500	1.700
▲ L4	2.50 TYPE		
theta 1	3° TYPE		
theta 2	3° TYPE		
theta 3	7° TYPE		
theta 4	7° TYPE		
theta	0 ~ 8°		



深圳市金誉半导体股份有限公司
SHENZHEN JINYU SEMICONDUCTOR CO.,LTD

T0-263

THIRD ANGLE PROJECTION				SCALE	1:1	UNIT	mm
TOLERANCE				DESIGNER		ChenYJ	DATE
0	0.0	0.00	0.000	CHECKER		XieWH	2024.02.19
				APPROVER		LinHB	2024.02.19

DRG NO.	JY-POD-19	REV: C
FILE NO.	JY-RE-022-19	SHEET:1 OF 1