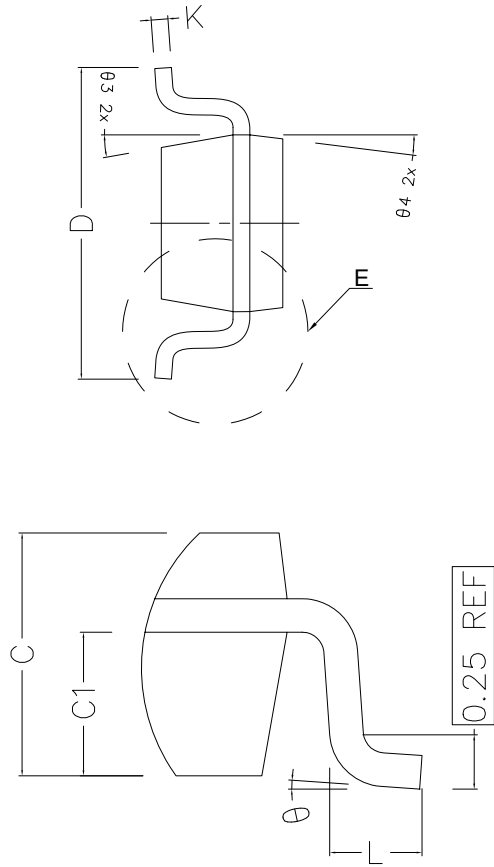
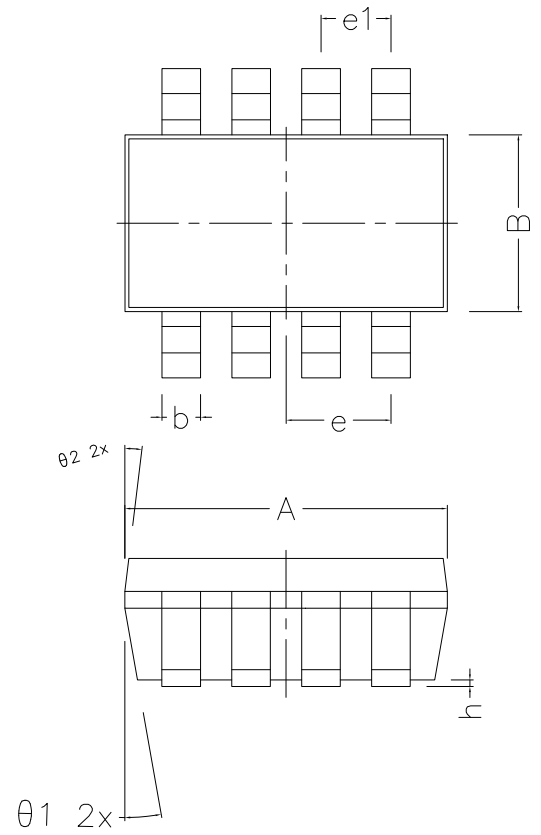


REVERSION	REVERSION RECORD	DATE	NAME
A	NEW DRAW	2022/9/30	ChenYJ



DETAIL E

COMMON DIMENSIONS  
(UNITS OF MEASURE IS mm)

	MIN	NORMAL	MAX
A	2.820	2.920	3.020
B	1.500	1.600	1.700
C	1.050	1.100	1.150
C1	0.600	0.650	0.700
D	2.650	2.800	2.950
L	0.300	0.450	0.600
b	0.300	0.350	0.400
h	0.020	0.050	0.100
K	0.100	—	0.200
e	0.950TYPE		
e1	0.633TYPE		
theta1	8° TYPE		
theta2	8° TYPE		
theta3	8° TYPE		
theta4	8° TYPE		
theta	0° ~ 8°		



深圳市金誉半导体股份有限公司  
SHENZHEN JINYU SEMICONDUCTOR CO.,LTD

<p>THIRD ANGLE PROJECTION</p>				SCALE	1:1	UNIT	mm
TOLERANCE				APPROVALS		DATE	
0	0.0	0.00	0.000	DESIGNER	ChenYJ	2022.09.30	
				CHECKER	XieWH	2022.09.30	
				APPROVER	LinHB	2022.09.30	

# SOT23-8L

DRG NO.	JY-POD-66	REV: A
FILE NO.	JY-RE-022-66	SHEET:1 OF 1