



40V/160A N-Channel Advanced Power MOSFET

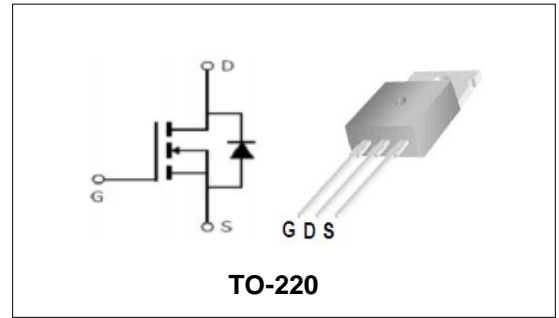
Features

- Fast switching capability
- Robust design with better EAS performance
- EMI Improved

BVDSS	40	V
ID	160	A
RDSON@VGS=10V	1.8	mΩ
RDSON@VGS=4.5V	2.7	mΩ

Applications

- Server/Telecom
- High Power Supply
- E-Tools
- Motor Driver
- BMS



TO-220

Order Information

Product	Package	Marking	Tube	Carton
PGP04N015	TO-220	PGP04N015	50PCS	5000PCS

Absolute Maximum Ratings

Symbol	Parameter	Rating	Unit	
Common Ratings (TC=25°C Unless Otherwise Noted)				
$V_{(BR)DSS}$	Drain-Source Breakdown Voltage	40	V	
V_{GS}	Gate-Source Voltage	±20	V	
T_J	Maximum Junction Temperature	150	°C	
T_{STG}	Storage Temperature Range	-55 to 150	°C	
I_S	Diode Continuous Forward Current	TC =25°C	150	A
Mounted on Large Heat Sink				
E_{AS}	Single Pulse Avalanche Energy (Note1)	130	mJ	
I_{DM}	Pulse Drain Current Tested (Silicon Limit) (Note2)	TC =25°C	480	A
I_D	Continuous Drain current	TC =25°C	160	A
P_D	Maximum Power Dissipation	TC =25°C	83	W
$R_{θJa}$	Thermal Resistance Junction-to-Ambient (Note3)	65	°C/W	
$R_{θJc}$	Thermal Resistance Junction-to-Case (Note3)	1.5		



40V/160A N-Channel Advanced Power MOSFET

Symbol	Parameter	Condition	Min.	Typ.	Max.	Unit
Static Electrical Characteristics @ T_J = 25°C (unless otherwise stated)						
V _{(BR)DSS}	Drain- Source Breakdown Voltage	VGS=0V ID=250μA	40	--	--	V
I _{DSS}	Zero Gate Voltage Drain current(Tc=25°C)	VDS=32V,VGS=0V	--	--	1	μA
I _{GSS}	Gate-Body Leakage Current	VGS=±20V,VDS=0V	--	--	±100	nA
V _{GS(TH)}	Gate Threshold Voltage	VDS=VGS,ID=250μA	1.0	1.8	2.5	V
R _{DS(ON)}	Drain-Source On-State Resistance (Note4)	VGS=10V, ID=30A	--	1.8	2.6	mΩ
R _{DS(ON)}	Drain-Source On-State Resistance (Note4)	VGS=4.5V, ID=20A	--	2.7	3.6	mΩ
Dynamic Electrical Characteristics @ T_J = 25°C (unless otherwise stated) (Note5)						
C _{iss}	Input Capacitance	VDS=20V, VGS=0V, F=1MHz	--	3160	--	pF
C _{oss}	Output Capacitance		--	1100	--	pF
C _{rss}	Reverse Transfer Capacitance		--	150	--	pF
Q _g	Total Gate Charge	VDS=20V, ID=75A, VGS=10V	--	95	--	nC
Q _{gs}	Gate-Source Charge		--	15	--	nC
Q _{gd}	Gate-Drain Charge		--	11	--	nC
Switching Characteristics (Note5)						
t _{d(on)}	Turn-on Delay Time	VDS=20V, ID=75A, RG=3.9Ω, VGS=10V	--	12.5	--	nS
t _r	Turn-on Rise Time		--	7	--	nS
t _{d(off)}	Turn-off Delay Time		--	50	--	nS
t _f	Turn-off Fall Time		--	8.5	--	nS
Source- Drain Diode Characteristics @ T_J = 25°C (unless otherwise stated)						
V _{SD}	Forward on voltage	IS=30A,VGS=0V	--	0.84	1.2	V
t _{rr}	Reverse Recovery Time	ISD=30A, di/dt=100A/us	--	31	--	ns
Q _{rr}	Reverse Recovery Charge		--	110	--	nc

Note:

- Limited by T_{Jmax}, starting T_J = 25° C, R_G =25Ω, VDS =20V, VGS =10V. Part not recommended for use above this value.
- Repetitive Rating: Pulse width limited by maximum junction temperature.
- Surface Mounted on FR4 Board, t ≤ 10 sec.
- Pulse Test: pulse width ≤ 300 us, duty cycle ≤ 2%.
- Guaranteed by design, not subject to production testing.



40V/160A N-Channel Advanced Power MOSFET

Typical Performance Characteristics

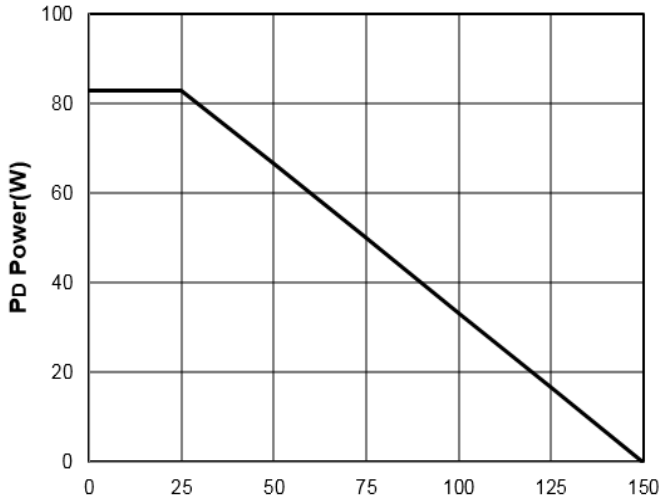


Figure1: Tj Junction Temperature (°C)

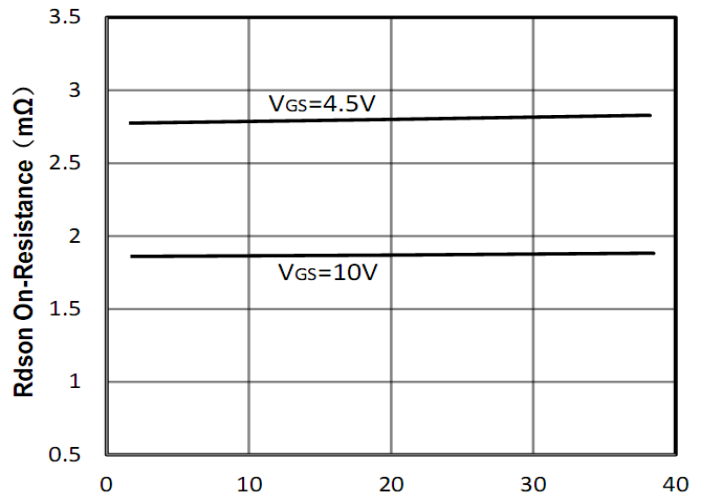


Figure2: Id Drain Current (A)

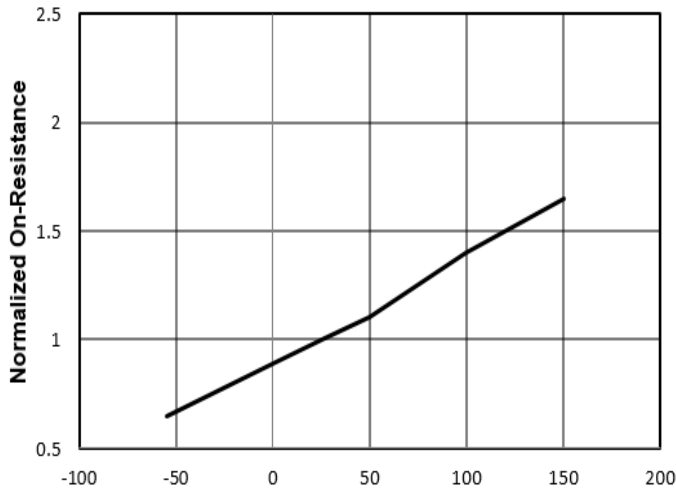


Figure3: Tj Junction Temperature (°C)

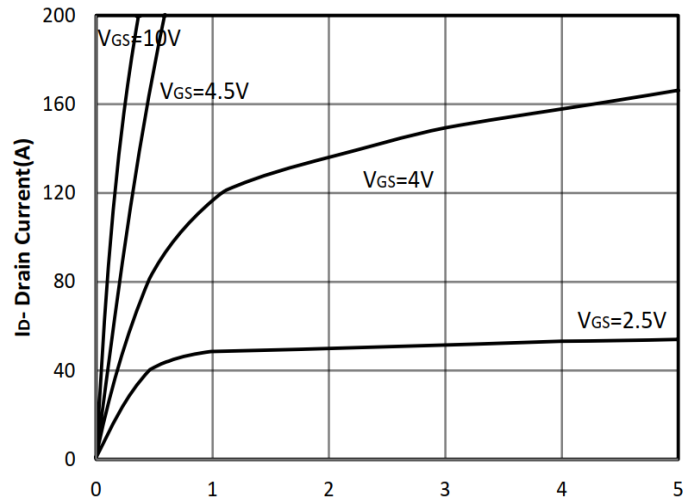


Figure4: Vds Drain-Source Voltage (V)

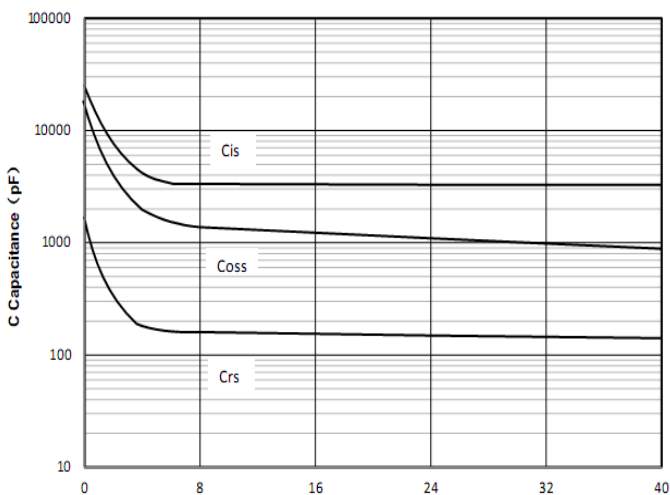


Figure5: Vds Drain-Source Voltage (V)

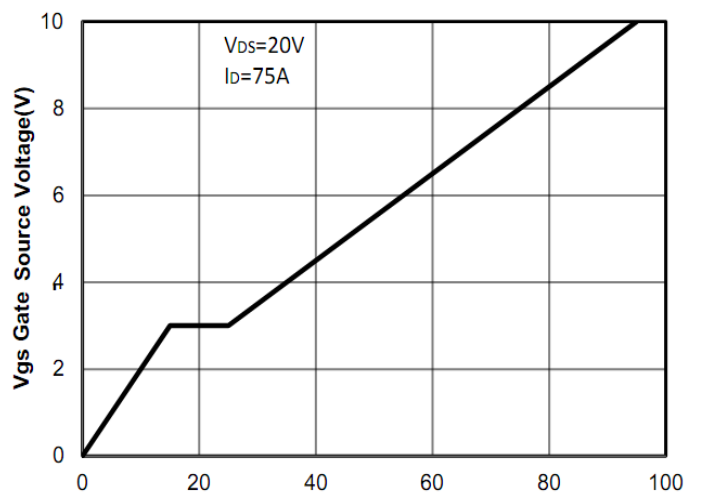


Figure6: Qg Gate Charge (nC)



40V/160A N-Channel Advanced Power MOSFET

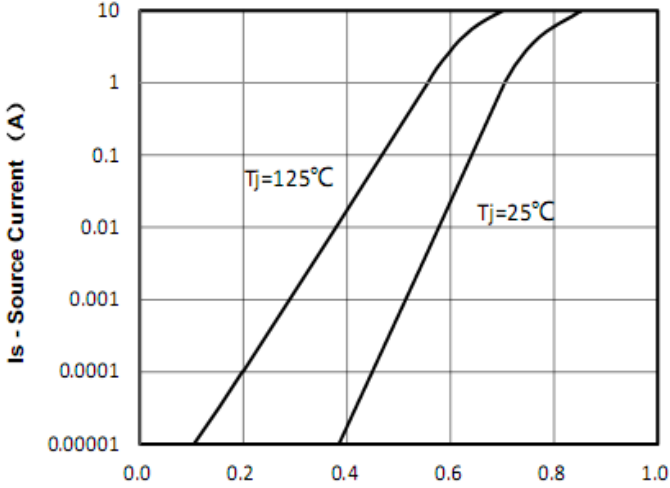


Figure7: Vsd Source-Drain Voltage (V)

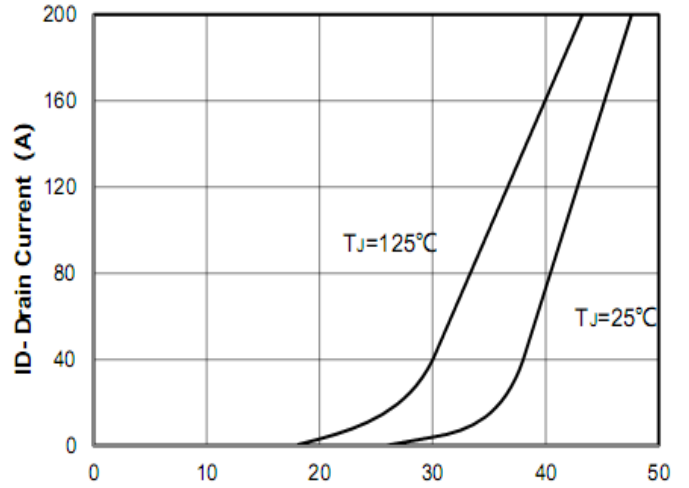


Figure8: Vgs Gate-Source Voltage (V)

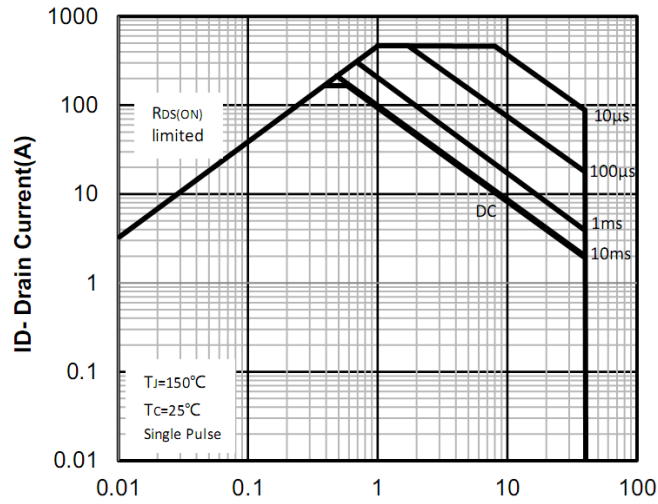


Figure9: VDS Drain -Source Voltage (V)

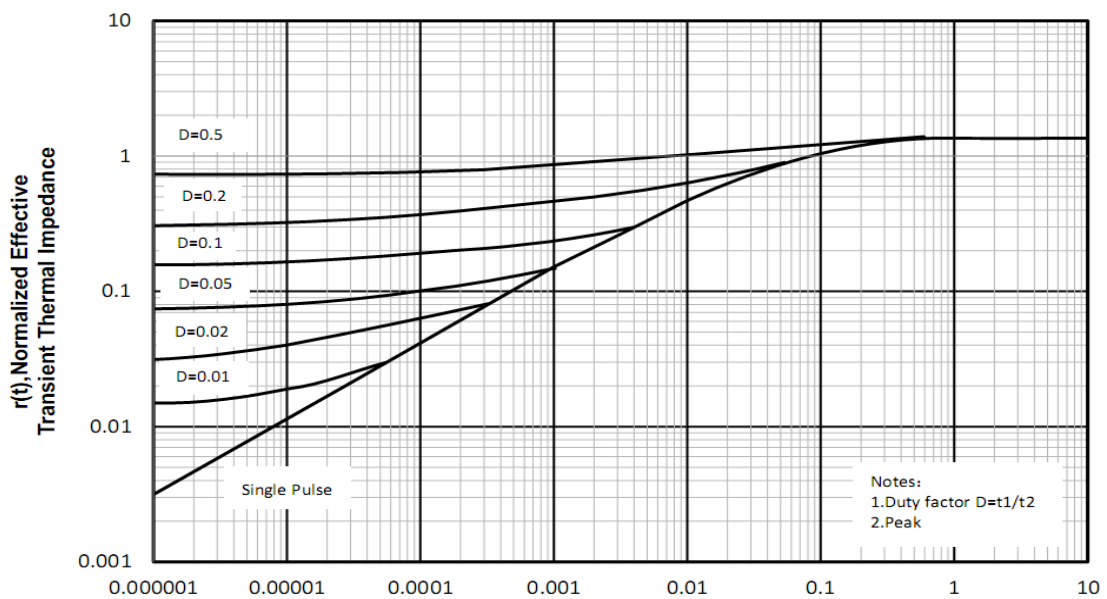


Figure10: Square Wave Pulse Duration (sec)

40V/160A N-Channel Advanced Power MOSFET

Test Circuit and Waveform:

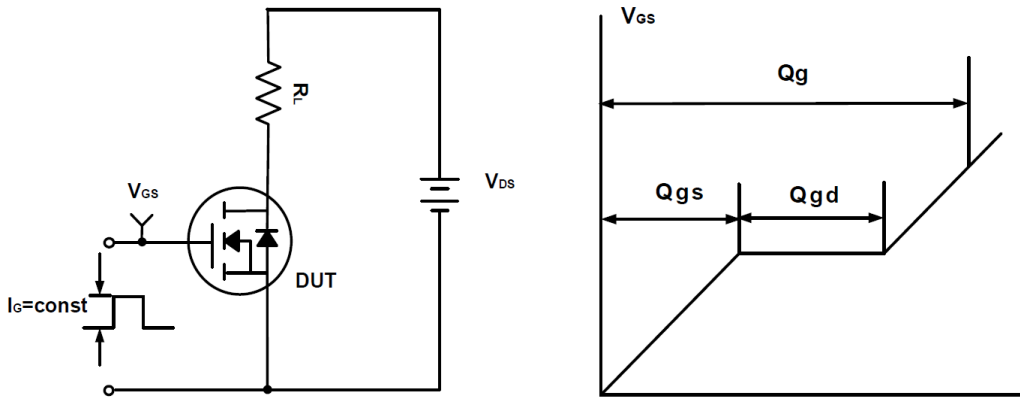


Figure A Gate Charge Test Circuit & Waveforms

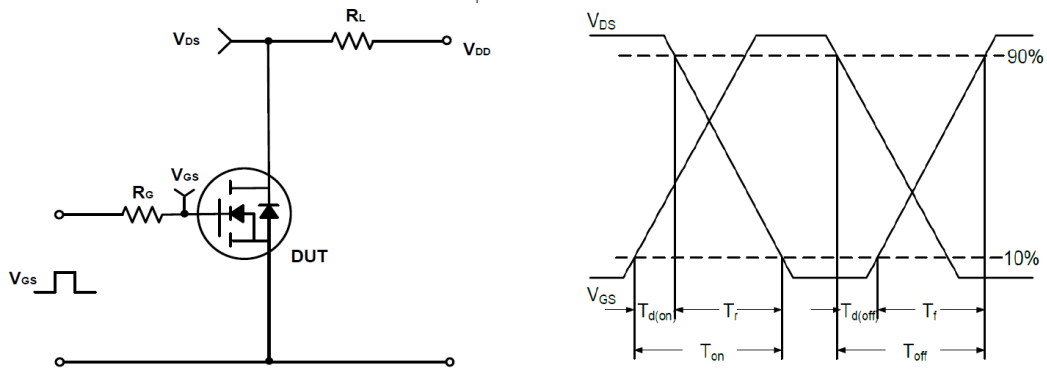


Figure B Switching Test Circuit & Waveforms

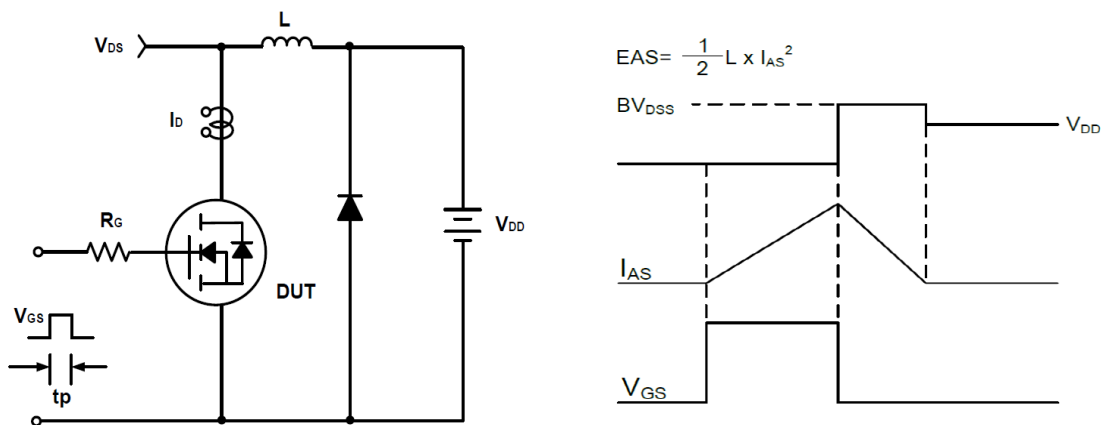
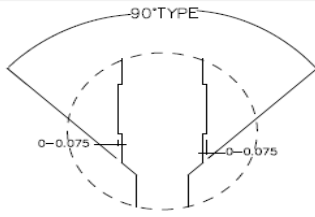


Figure C Unclamped Inductive Switching Circuit & Waveforms

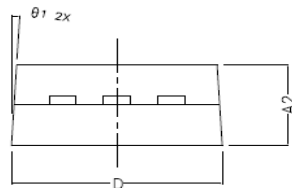


40V/160A N-Channel Advanced Power MOSFET

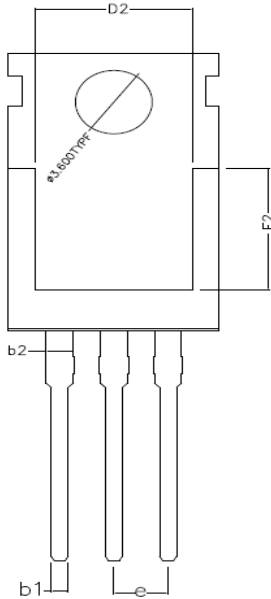
TO-220 Package Outline Dimensions (Units: mm)



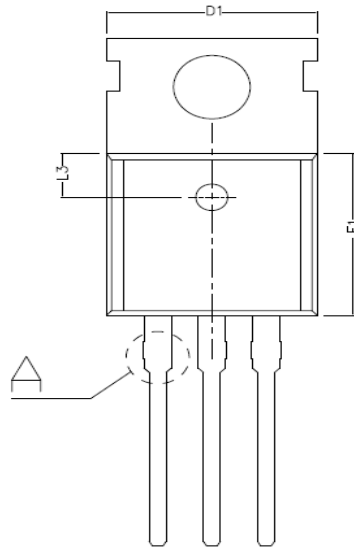
DETAIL A



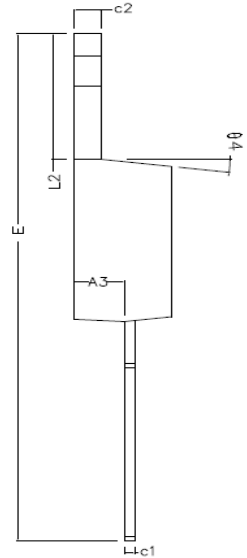
SIDE VIEW



BOTTOM VIEW



TOP VIEW



COMMON DIMENSIONS (UNITS OF MEASURE IS mm)			
	MIN	NORMAL	MAX
A2	4.470	4.570	4.670
A3	2.300	2.350	2.400
b1	0.750	0.800	0.850
b2	1.27 TYPE		
c1	0.450	0.500	0.550
c2	1.250	1.300	1.380
D	9.900	10.000	10.100
D1	10.000TYPE		
D2	8.000TYPE		
E	28.660	28.860	29.060
E1	9.000	9.100	9.200
E2	7.000TYPE		
e	2.540TYPE		
L2	6.350	6.500	6.650
L3	2.50TYPE		
theta 1	3° TYPE		
theta 2	3° TYPE		
theta 3	7° TYPE		
theta 4	7° TYPE		