

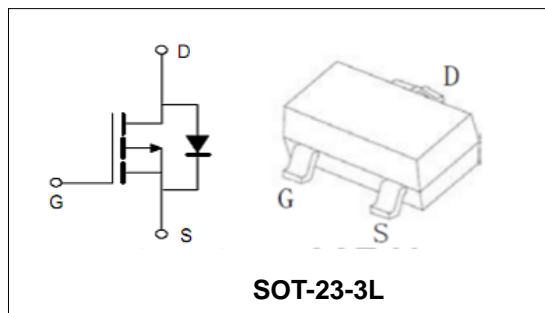
**-30V/-4.1A P-Channel Enhancement Mode MOSFET****Features**

- Advanced trench process technology
- High Density Cell Design For Ultra Low On-Resistance

BVDSS	-30	V
ID	-4.1	A
RDSON@VGS=-10V	48	mΩ
RDSON@VGS=-4.5V	69	mΩ

**Applications**

- Low Side Load Switch
- Battery Switch
- Optimized for Power Management Applications for Portable Products, such as Aeromodelling, Power bank, Brushless motor, Main board , and Others

**Order Information**

Product	Package	Marking	Reel Size	Reel	Carton
PT3407	SOT-23-3L	A7sHB	7inch	3000PCS	180000PCS

**Absolute Maximum Ratings**

Symbol	Parameter	Rating	Unit
<b>Common Ratings (TC=25°C Unless Otherwise Noted)</b>			
$V_{(BR)DSS}$	Drain-Source Breakdown Voltage	-30	V
$V_{GS}$	Gate-Source Voltage	±20	V
$T_J$	Maximum Junction Temperature	150	°C
$T_{STG}$	Storage Temperature Range	-55 to 150	°C
$I_S$	Diode Continuous Forward Current	$T_A = 25^\circ\text{C}$ -2.6	A
<b>Mounted on Large Heat Sink</b>			
$I_{DM}$	Pulse Drain Current Tested (Silicon Limit) (Note1)	$T_A = 25^\circ\text{C}$ -20	A
$I_D$	Continuous Drain current	$T_A = 25^\circ\text{C}$ -4.1	A
$P_D$	Maximum Power Dissipation	$T_A = 25^\circ\text{C}$ 1.4	W
$R_{\theta JA}$	Thermal Resistance Junction-to-Ambient (Note2)	89.2	°C/W

**-30V/-4.1A P-Channel Enhancement Mode MOSFET**

Symbol	Parameter	Condition	Min.	Typ.	Max.	Unit
<b>Static Electrical Characteristics @ T<sub>J</sub> = 25°C (unless otherwise stated)</b>						
V <sub>(BR)DSS</sub>	Drain- Source Breakdown Voltage	VGS=0V ID=-250μA	-30	--	--	V
I <sub>DSS</sub>	Zero Gate Voltage Drain current	VDS=-24V,VGS=0V	--	--	-1	μA
I <sub>GSS</sub>	Gate-Body Leakage Current	VGS=±20V,VDS=0V	--	--	±100	nA
V <sub>GS(TH)</sub>	Gate Threshold Voltage	VDS=VGS,ID=-250μA	-1	-1.5	-3	V
R <sub>DS(ON)</sub>	Drain-Source On-State Resistance (Note3)	VGS=-10V, ID=-4.1A	--	48	80	mΩ
		VGS=-4.5V, ID=-3A	--	69	110	mΩ
<b>Dynamic Electrical Characteristics @ T<sub>J</sub> = 25°C (unless otherwise stated) (Note4)</b>						
C <sub>iss</sub>	Input Capacitance	VDS= -15V, VGS=0V, F=1MHz	--	551.5	--	pF
C <sub>oss</sub>	Output Capacitance		--	90.9	--	pF
C <sub>rss</sub>	Reverse Transfer Capacitance		--	60.7	--	pF
Q <sub>g</sub>	Total Gate Charge	VDS= -15V, ID= -4.1A, VGS= -10V	--	9.35	--	nC
Q <sub>gs</sub>	Gate-Source Charge		--	3.43	--	nC
Q <sub>gd</sub>	Gate-Drain Charge		--	1.7	--	nC
<b>Switching Characteristics (Note4)</b>						
t <sub>d(on)</sub>	Turn-on Delay Time	VDD=-15V, ID=-1A, RG=15Ω, VGS=-10V	--	10.8	--	nS
t <sub>r</sub>	Turn-on Rise Time		--	2.33	--	nS
t <sub>d(off)</sub>	Turn-off Delay Time		--	22.53	--	nS
t <sub>f</sub>	Turn-off Fall Time		--	3.87	--	nS
<b>Source- Drain Diode Characteristics @ T<sub>J</sub> = 25°C (unless otherwise stated)</b>						
V <sub>SD</sub>	Forward on voltage (Note3)	IS=-2.6A,VGS=0V	--	--	-1.3	V

Note:

1. Repetitive Rating: Pulse width limited by maximum junction temperature.
2. Surface Mounted on FR4 Board, t ≤ 10 sec
3. Pulse Test: pulse width ≤ 300 us, duty cycle ≤ 2%.
4. Guaranteed by design, not subject to production testing.



-30V/-4.1A P-Channel Enhancement Mode MOSFET

Typical Characteristics

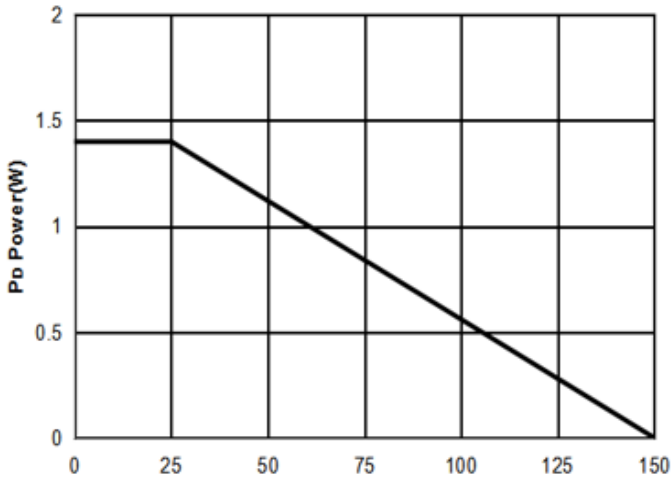


Figure1: Tj Junction Temperature (°C)

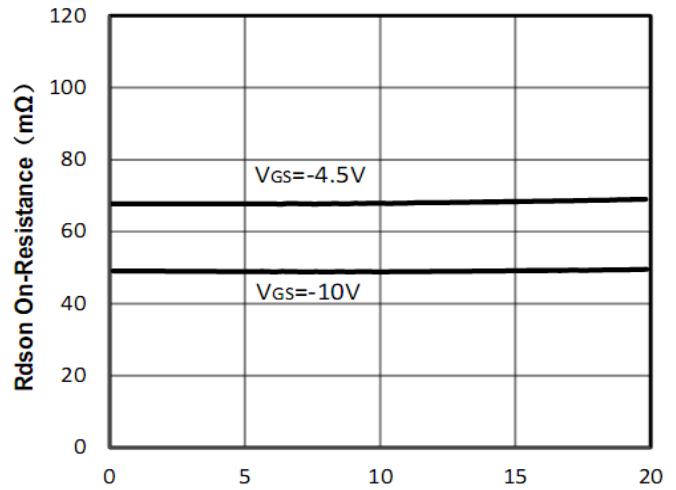


Figure2: -Id Drain Current (A)

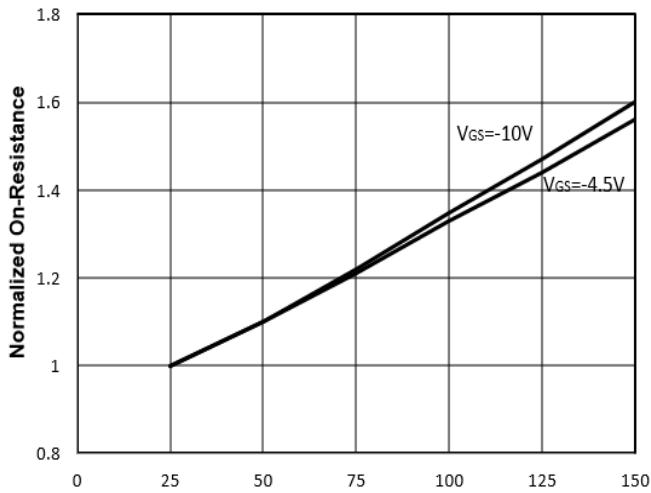


Figure3: Tj Junction Temperature (°C)

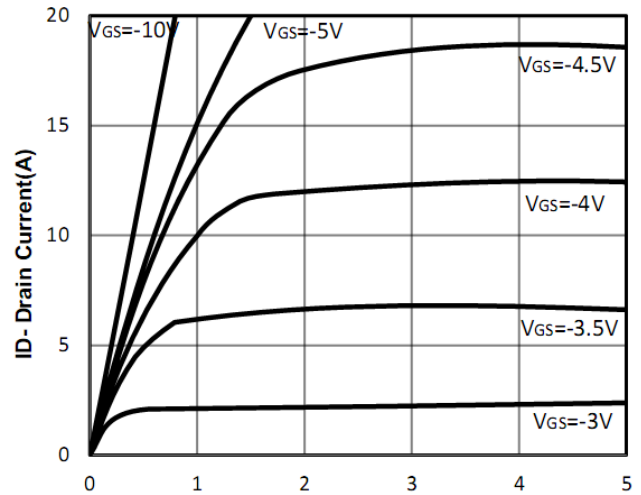


Figure4: -Vds Drain-Source Voltage (V)

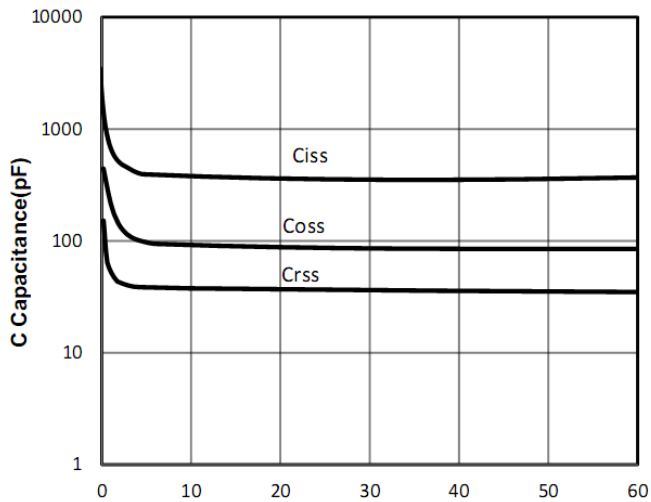


Figure5: -Vds Drain-Source Voltage (V)

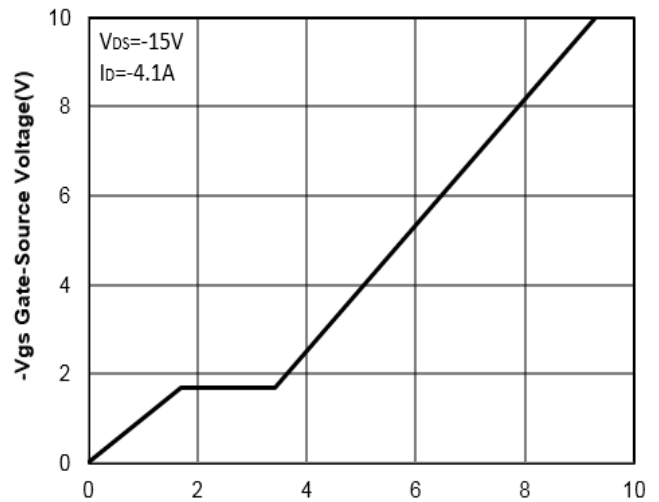


Figure6: Qg Gate Charge (nC)



-30V/-4.1A P-Channel Enhancement Mode MOSFET

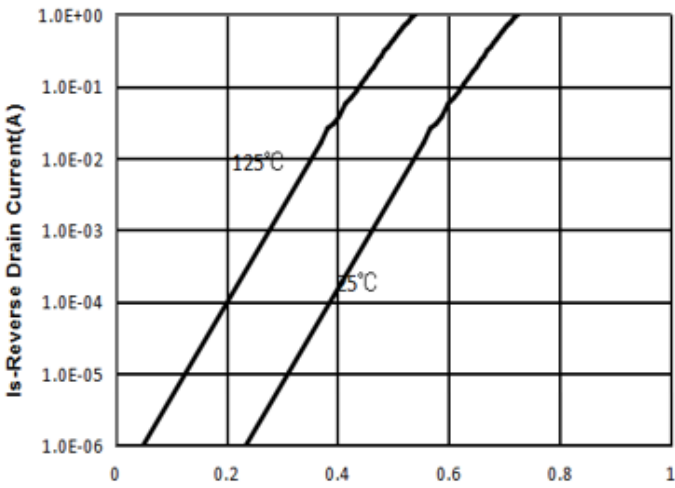


Figure7: -Vsd Source-Drain Voltage (V)

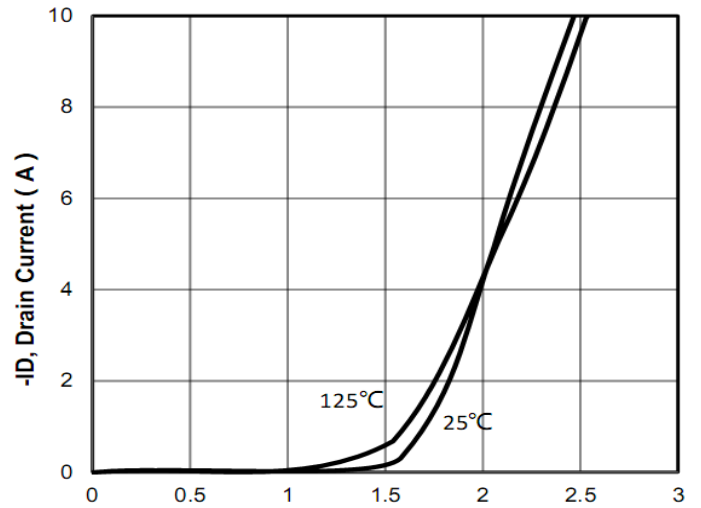


Figure8: -Vgs Gate-Source Voltage (V)

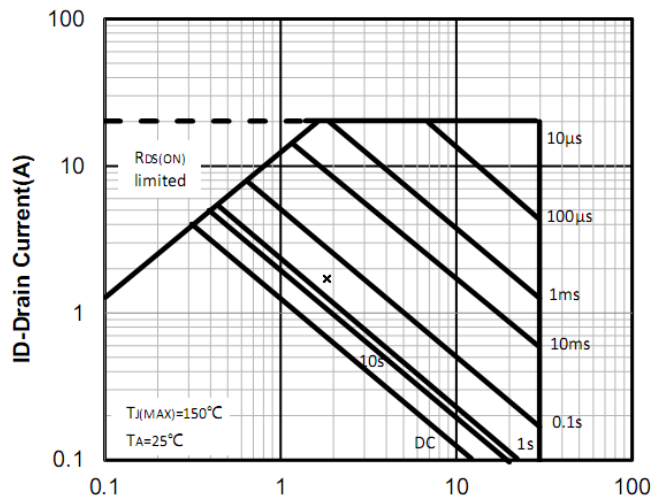


Figure9: -Vds Drain -Source Voltage (V)

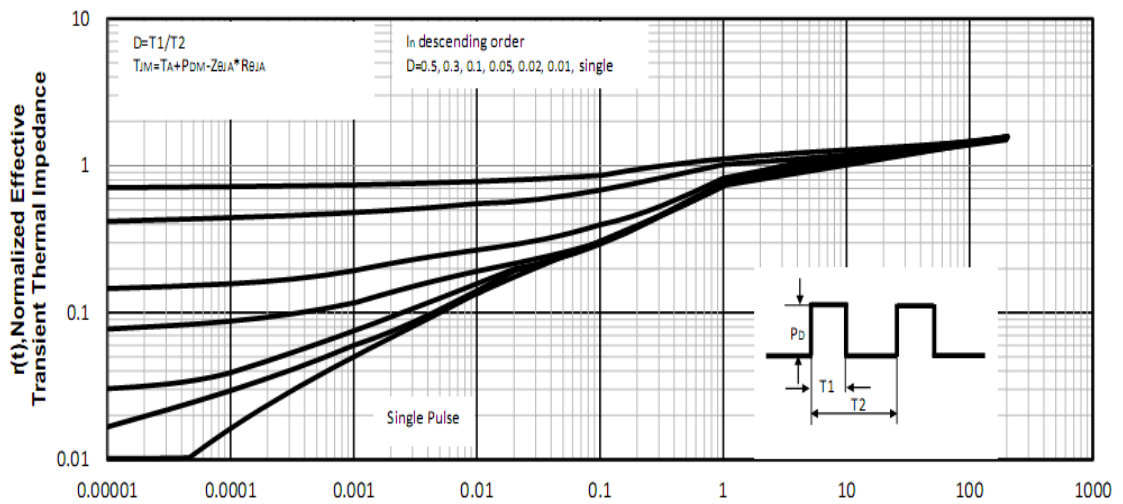


Figure10: Square Wave Pulse Duration (sec)

-30V/-4.1A P-Channel Enhancement Mode MOSFET

Test Circuit and Waveform:

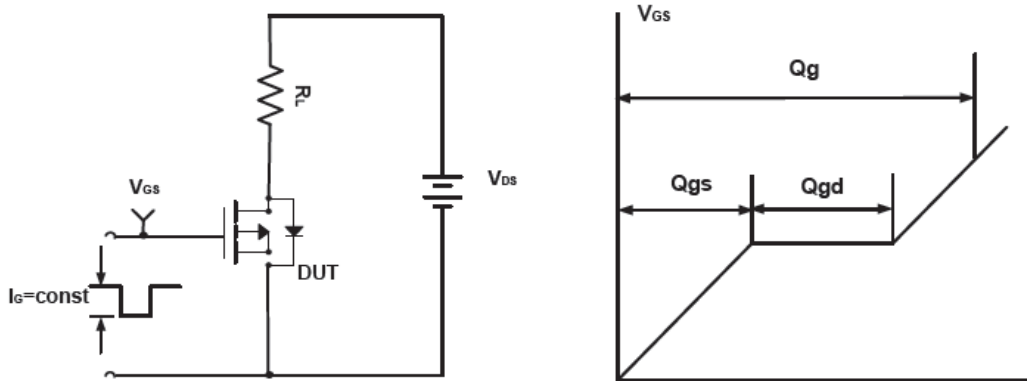


Figure A Gate Charge Test Circuit & Waveforms

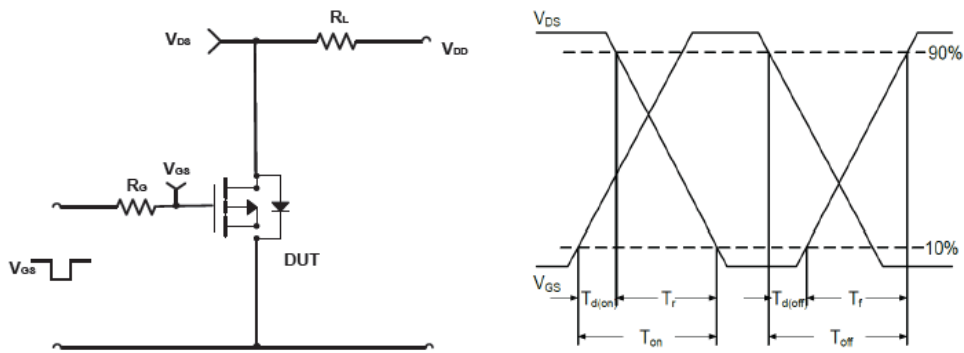


Figure B Switching Test Circuit & Waveforms

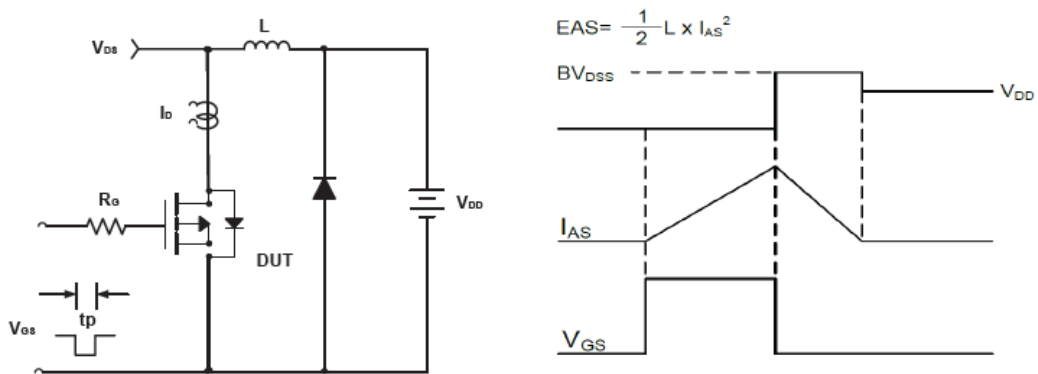
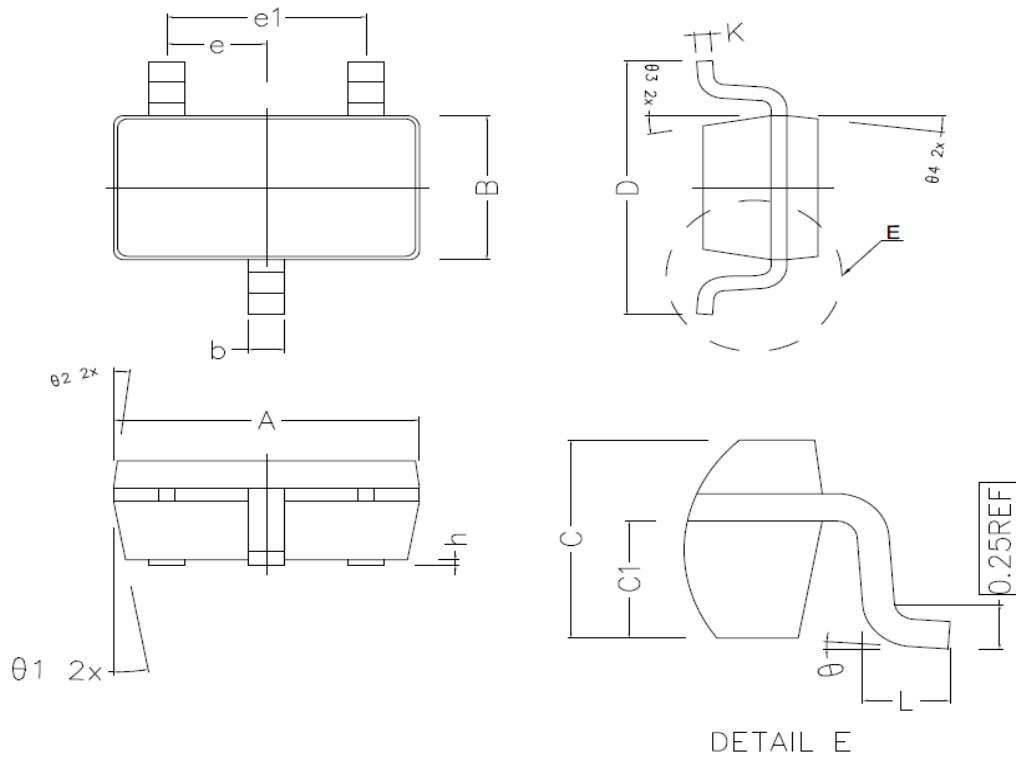


Figure C Unclamped Inductive Switching Circuit & Waveforms

**-30V/-4.1A P-Channel Enhancement Mode MOSFET**
**SOT-23-3L Package Outline Dimensions (Units: mm)**


COMMON DIMENSIONS (UNITS OF MEASURE IS mm)			
	MIN	NORMAL	MAX
A	2.820	2.920	3.020
B	1.500	1.600	1.700
C	1.050	1.100	1.150
C1	0.600	0.650	0.700
D	2.650	2.800	2.950
L	0.300	0.450	0.600
b	0.280	0.350	0.420
h	0.020	0.050	0.100
K	0.120	—	0.230
e	0.950TYPE		
e1	1.900TYPE		
$\theta_1$	10° TYPE		
$\theta_2$	7° TYPE		
$\theta_3$	10° TYPE		
$\theta_4$	7° TYPE		
$\theta$	0° ~ 8°		