

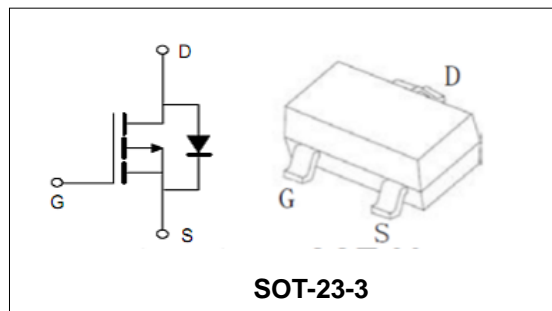
**-30V/-4.2A P-Channel Enhancement Mode MOSFET****Features**

- Advanced trench process technology.
- High Density Cell Design For Ultra Low On-Resistance

Applications

- Low Side Load Switch
- Battery Switch
- Optimized for Power Management Applications for Portable Products, such as Aeromodelling, Power bank, Brushless motor, Main board , and Others

BVDSS	-30	V
ID	-4.2	A
RDSON@VGS=-10V	44	mΩ
RDSON@VGS=-4.5V	57	mΩ
RDSON@VGS=-2.5V	90	mΩ

**Order Information**

Product	Package	Marking	Reel Size	Reel	Carton
PT3401	SOT-23	A19T	7inch	3000PCS	180000PCS

Absolute Maximum Ratings

Symbol	Parameter	Rating	Unit	
Common Ratings (TC=25°C Unless Otherwise Noted)				
$V_{(BR)DSS}$	Drain-Source Breakdown Voltage	-30	V	
V_{GS}	Gate-Source Voltage	±12	V	
T_J	Maximum Junction Temperature	150	°C	
T_{STG}	Storage Temperature Range	-55 to 150	°C	
I_S	Diode Continuous Forward Current	TC =25°C	-4.2	A
Mounted on Large Heat Sink				
I_{DM}	Pulse Drain Current Tested (Silicon Limit) (Note1)	TC =25°C	-30	A
I_D	Continuous Drain current	TC =25°C	-4.2	A
P_D	Maximum Power Dissipation	TA =25°C	1.4	W
$R_{\theta JA}$	Thermal Resistance Junction-to-Ambient (Note2)		125	°C/W

**-30V/-4.2A P-Channel Enhancement Mode MOSFET**

Symbol	Parameter	Condition	Min.	Typ.	Max.	Unit
Static Electrical Characteristics @ T_J = 25°C (unless otherwise stated)						
V _{(BR)DSS}	Drain- Source Breakdown Voltage	VGS=0V ID=-250μA	-30	--	--	V
I _{DSS}	Zero Gate Voltage Drain current	VDS=-24V,VGS=0V	--	--	-1	μA
I _{GSS}	Gate-Body Leakage Current	VGS=±12V,VDS=0V	--	--	±100	nA
V _{GS(TH)}	Gate Threshold Voltage	VDS=VGS,ID=-250μA	-0.7	-1.6	-1.3	V
R _{DS(ON)}	Drain-Source On-State Resistance (Note3)	VGS=-10V, ID=-4.2A	--	44	64	mΩ
		VGS=-4.5V, ID=-4A	--	57	75	mΩ
		VGS=-2.5V, ID=-1A	--	90	120	mΩ
Dynamic Electrical Characteristics @ T_J = 25°C (unless otherwise stated) (Note4)						
C _{iss}	Input Capacitance	VDS= -15V, VGS=0V, F=1MHz	--	954	--	pF
C _{oss}	Output Capacitance		--	115	--	pF
C _{rss}	Reverse Transfer Capacitance		--	77	--	pF
Q _g	Total Gate Charge	VDS= -15V, ID= -4A, VGS= -10V	--	9.4	--	nC
Q _{gs}	Gate-Source Charge		--	2	--	nC
Q _{gd}	Gate-Drain Charge		--	3	--	nC
Switching Characteristics (Note4)						
t _{d(on)}	Turn-on Delay Time	VDD=-15V, ID=-1A, RG=3.7Ω, VGS=-10V	--	6.3	--	nS
t _r	Turn-on Rise Time		--	3.2	--	nS
t _{d(off)}	Turn-off Delay Time		--	38.2	--	nS
t _f	Turn-off Fall Time		--	12	--	nS
Source- Drain Diode Characteristics @ T_J = 25°C (unless otherwise stated)						
V _{SD}	Forward on voltage (Note3)	IS=-1.8A,VGS=0V	--	--	-1.2	V

Note:

1. Repetitive Rating: Pulse width limited by maximum junction temperature.
2. Surface Mounted on FR4 Board, t ≤ 10 sec
3. Pulse Test: pulse width ≤ 300 us, duty cycle ≤ 2%.
4. Guaranteed by design, not subject to production testing.



-30V/-4.2A P-Channel Enhancement Mode MOSFET

Typical Characteristics

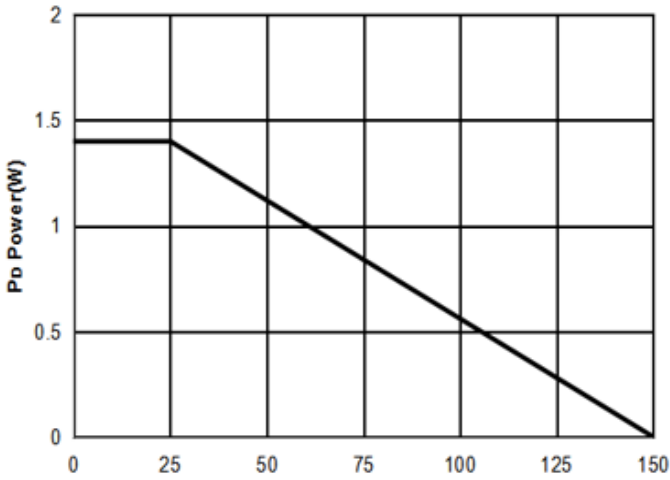


Figure1: Tj Junction Temperature (°C)

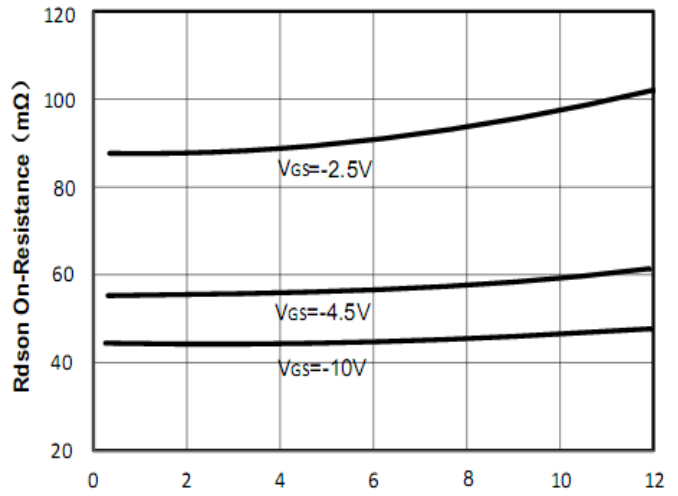


Figure2: -Id Drain Current (A)

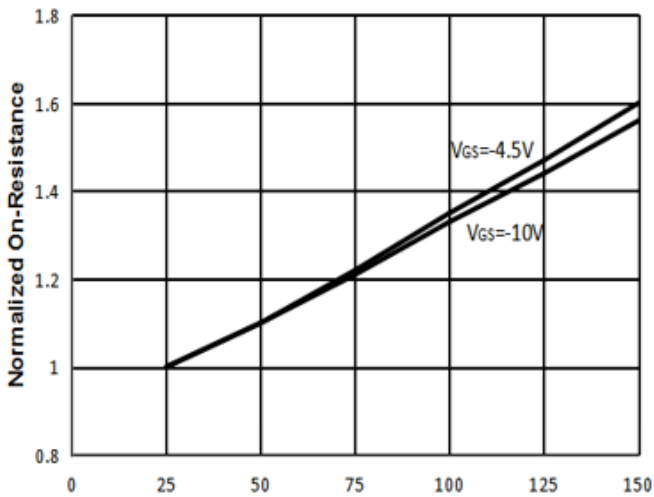


Figure3: Tj Junction Temperature (°C)

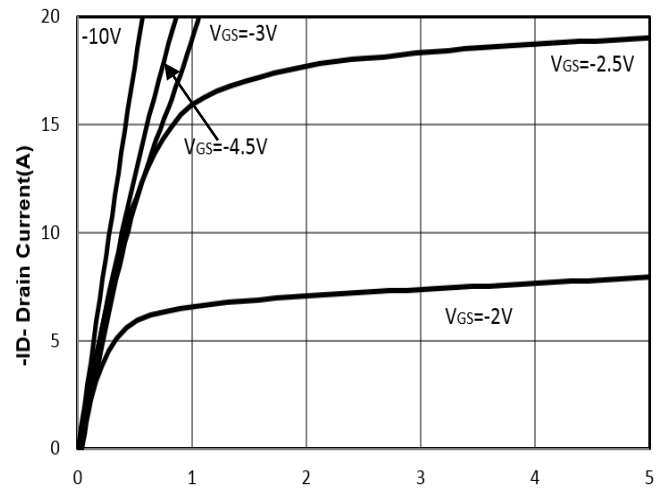


Figure4: -Vds Drain-Source Voltage (V)

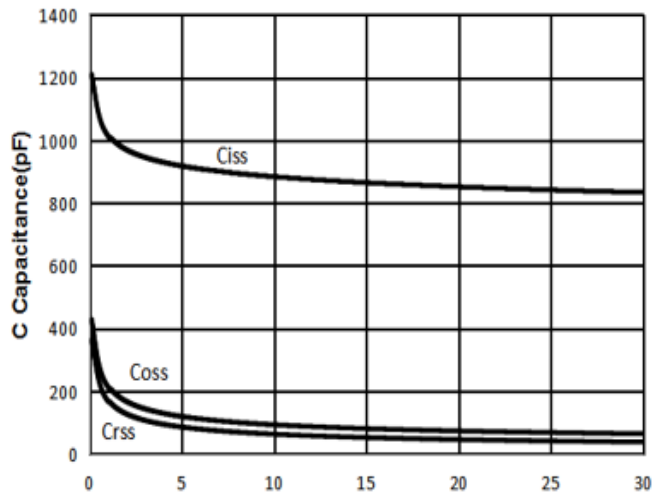


Figure5: -Vds Drain-Source Voltage (V)

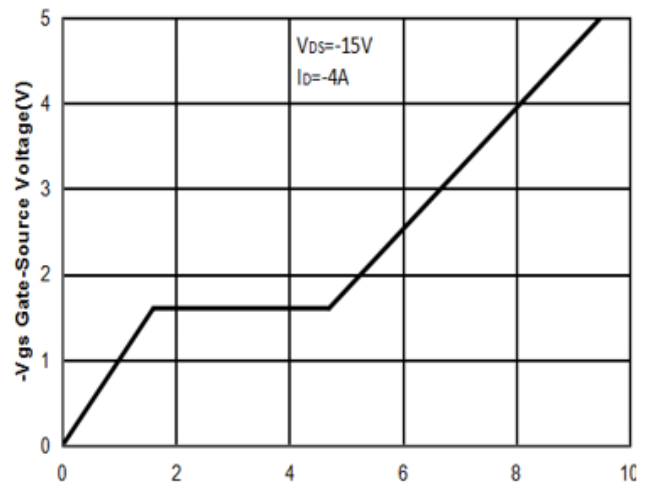


Figure6: Qg Gate Charge (nC)



-30V/-4.2A P-Channel Enhancement Mode MOSFET

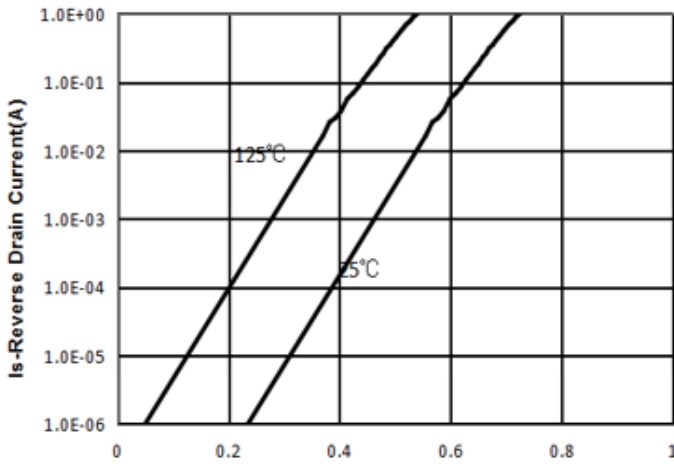


Figure7: -Vsd Source-Drain Voltage (V)

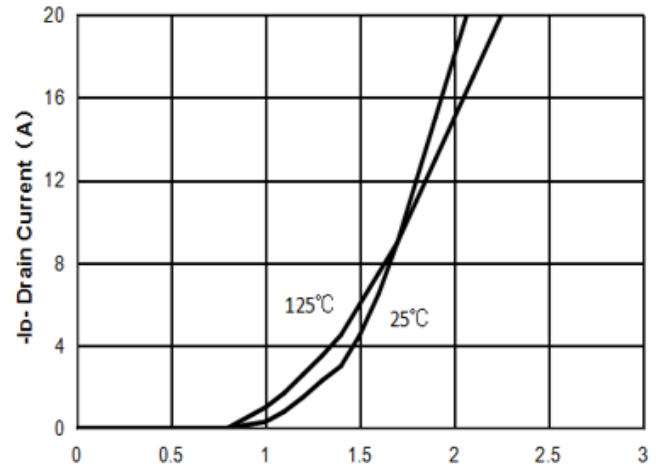


Figure8: -Vgs Gate-Source Voltage (V)

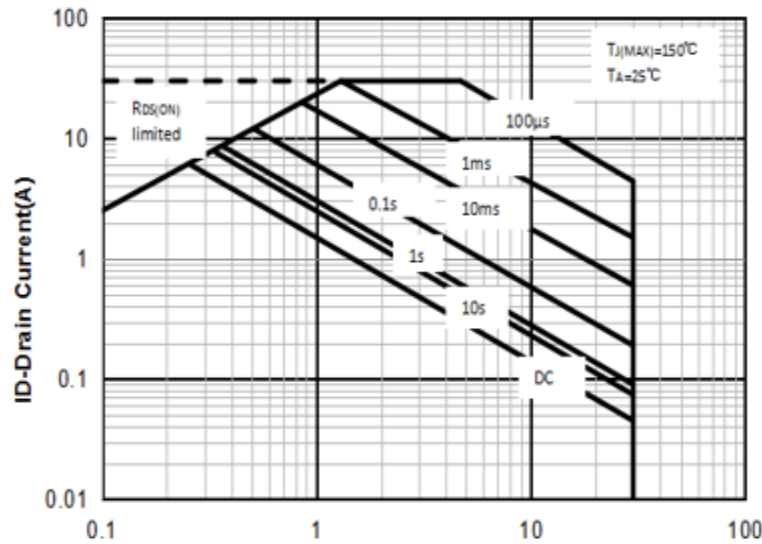


Figure9: -Vds Drain-Source Voltage (V)

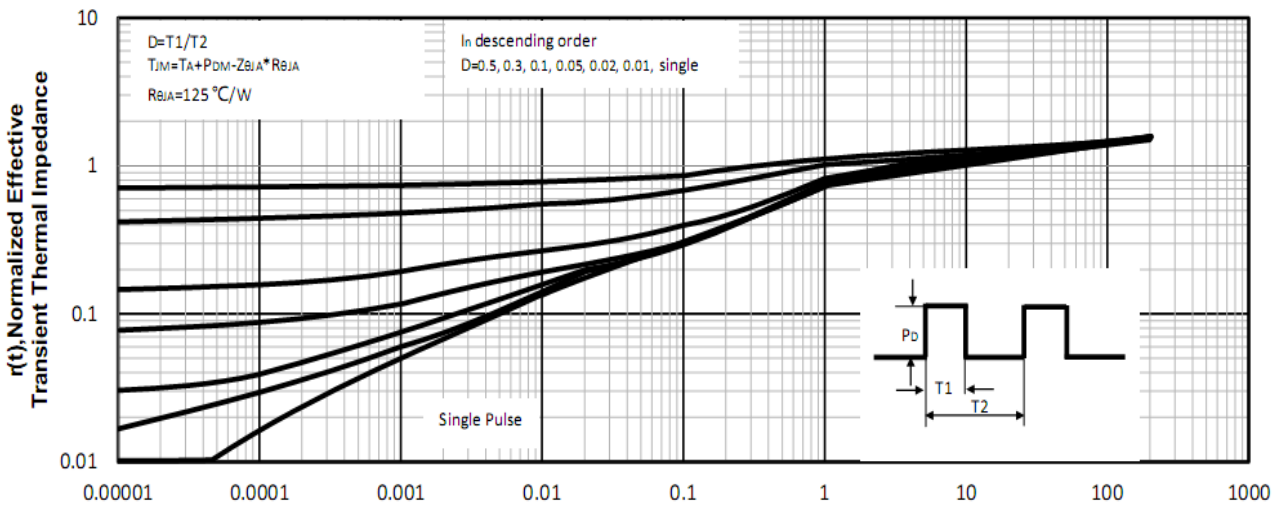


Figure10: Square Wave Pulse Duration (sec)

-30V/-4.2A P-Channel Enhancement Mode MOSFET

Test Circuit and Waveform:

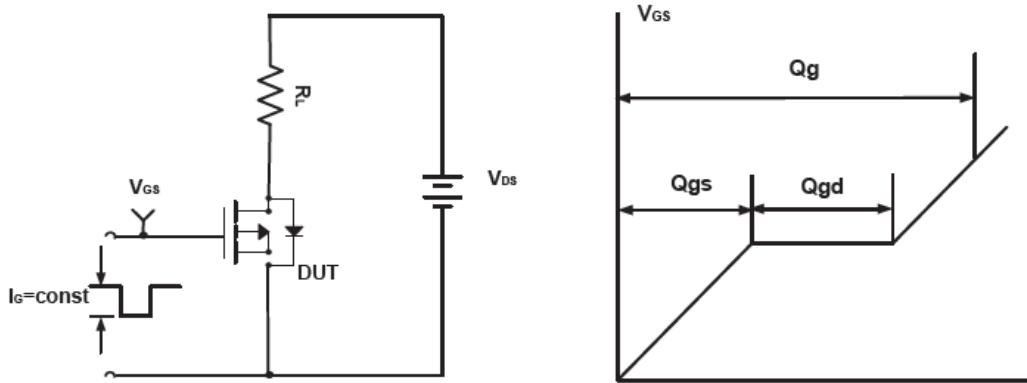


Figure A Gate Charge Test Circuit & Waveforms

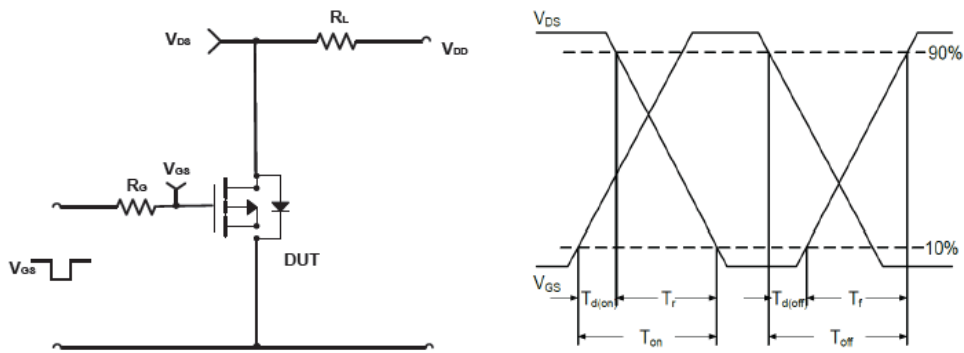


Figure B Switching Test Circuit & Waveforms

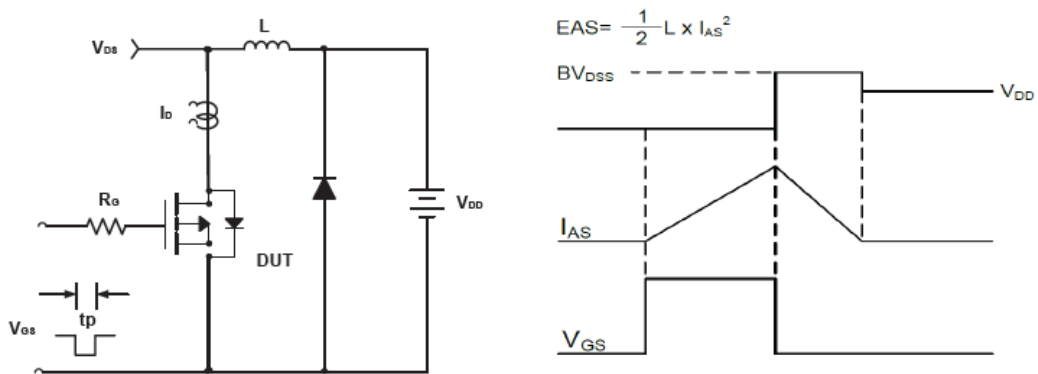
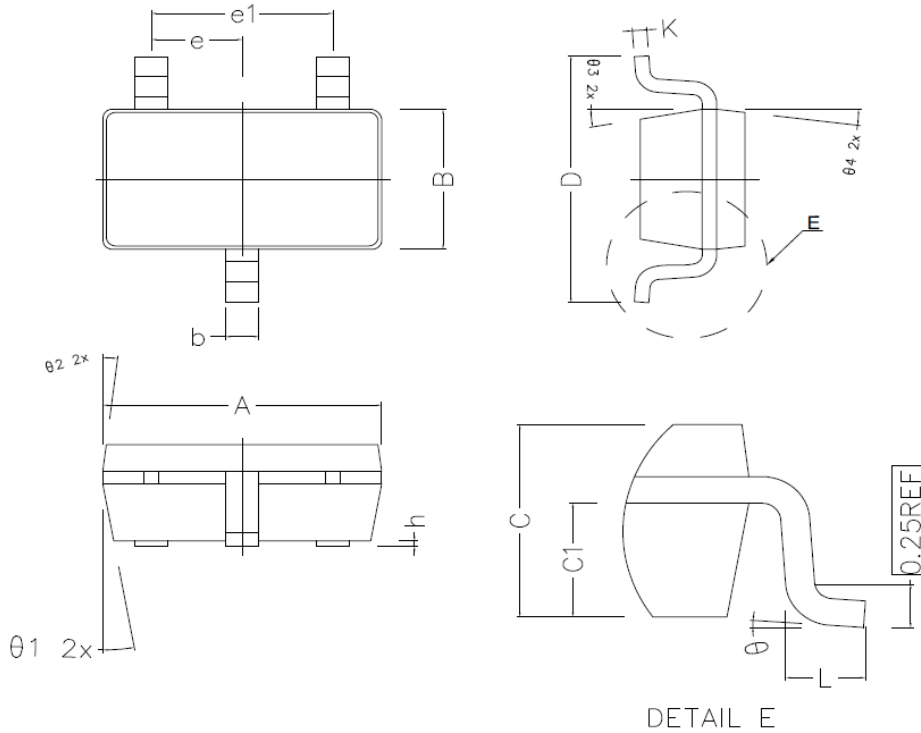


Figure C Unclamped Inductive Switching Circuit & Waveforms

-30V/-4.2A P-Channel Enhancement Mode MOSFET
SOT-23-3 Package Outline Dimensions (Units: mm)


COMMON DIMENSIONS (UNITS OF MEASURE IS mm)			
	MIN	NORMAL	MAX
A	2.820	2.920	3.020
B	1.500	1.600	1.700
C	1.050	1.100	1.150
C1	0.600	0.650	0.700
D	2.650	2.800	2.950
L	0.300	0.450	0.600
b	0.280	0.350	0.420
h	0.020	0.050	0.100
K	0.120	—	0.230
e	0.950TYPE		
e1	1.900TYPE		
θ_1	10° TYPE		
θ_2	7° TYPE		
θ_3	10° TYPE		
θ_4	7° TYPE		
θ	0° ~ 8°		