

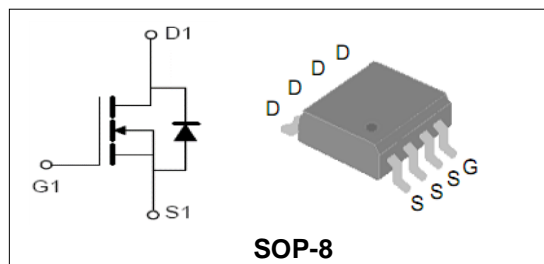
**30V/18A N-Channel Advanced Power MOSFET****Features**

- High density cell design for ultra low Rdson
- Fully characterized Avalanche voltage and current

BVDSS	30	V
ID	18	A
RDSON@VGS=10V	4.2	mΩ
RDSON@VGS=4.5V	5.8	mΩ

Applications

- Power switching application
- Hard switched and high frequency circuits
- Uninterruptible Power Supply (UPS)

**Order Information**

Product	Package	Marking	Reel Size	Reel	Carton
PT4430	SOP-8	PT4430	13inch	3000PCS	48000PCS

Absolute Maximum Ratings

Symbol	Parameter	Rating	Unit	
Common Ratings (TC=25°C Unless Otherwise Noted)				
$V_{(BR)DSS}$	Drain-Source Breakdown Voltage	30	V	
V_{GS}	Gate-Source Voltage	±20	V	
T_J	Maximum Junction Temperature	150	°C	
T_{STG}	Storage Temperature Range	-55 to 150	°C	
I_S	Diode Continuous Forward Current	$T_A = 25^\circ\text{C}$	18	A
Mounted on Large Heat Sink				
I_{DM}	Pulse Drain Current Tested (Silicon Limit) (Note1)	$T_A = 25^\circ\text{C}$	80	A
I_D	Continuous Drain current	$T_A = 25^\circ\text{C}$	18	A
P_D	Maximum Power Dissipation	$T_A = 25^\circ\text{C}$	3	W
$R_{\theta JA}$	Thermal Resistance Junction-to-Ambient (Note2)		42	°C/W



30V/18A N-Channel Advanced Power MOSFET

Symbol	Parameter	Condition	Min.	Typ.	Max.	Unit
Static Electrical Characteristics @ T_J = 25°C (unless otherwise stated)						
V _{(BR)DSS}	Drain- Source Breakdown Voltage	VGS=0V ID=250μA	30	--	--	V
I _{DSS}	Zero Gate Voltage Drain current	VDS=30V,VGS=0V	--	--	1	μA
I _{GSS}	Gate-Body Leakage Current	VGS=±20V,VDS=0V	--	--	±100	nA
V _{GS(TH)}	Gate Threshold Voltage	VDS=VGS,ID=250μA	1	--	2.5	V
R _{DS(ON)}	Drain-Source On-State Resistance (Note3)	VGS=10V, ID=18A	--	4.2	5.5	mΩ
		VGS=4.5V, ID=15A	--	5.8	8	mΩ
g _{FS}	Forward Transconductance	VDS=5V,ID=18A	--	80	--	S
Dynamic Electrical Characteristics @ T_J = 25°C (unless otherwise stated) (Note4)						
C _{iss}	Input Capacitance	VDS=15V, VGS=0V, F=1MHz	--	2330	--	pF
C _{oss}	Output Capacitance		--	460	--	pF
C _{rss}	Reverse Transfer Capacitance		--	230	--	pF
Q _g	Total Gate Charge	VDS=10V, ID=8A, VGS=10V	--	41	--	nC
Q _{gs}	Gate-Source Charge		--	14	--	nC
Q _{gd}	Gate-Drain Charge		--	11	--	nC
Switching Characteristics (Note4)						
t _{d(on)}	Turn-on Delay Time	VDS=10V, ID=18A, RG=2.7Ω, VGS=10V	--	20	--	nS
t _r	Turn-on Rise Time		--	15	--	nS
t _{d(off)}	Turn-off Delay Time		--	60	--	nS
t _f	Turn-off Fall Time		--	10	--	nS
Source- Drain Diode Characteristics @ T_J = 25°C (unless otherwise stated)						
V _{SD}	Forward on voltage	IS=1A,VGS=0V	--	--	1.4	V

Note:

1. Repetitive Rating: Pulse width limited by maximum junction temperature.
2. Surface Mounted on FR4 Board, t ≤ 10 sec.
3. Pulse Test: pulse width ≤ 300 us, duty cycle ≤ 2%.
4. Guaranteed by design, not subject to production testing.



30V/18A N-Channel Advanced Power MOSFET

Typical Characteristics

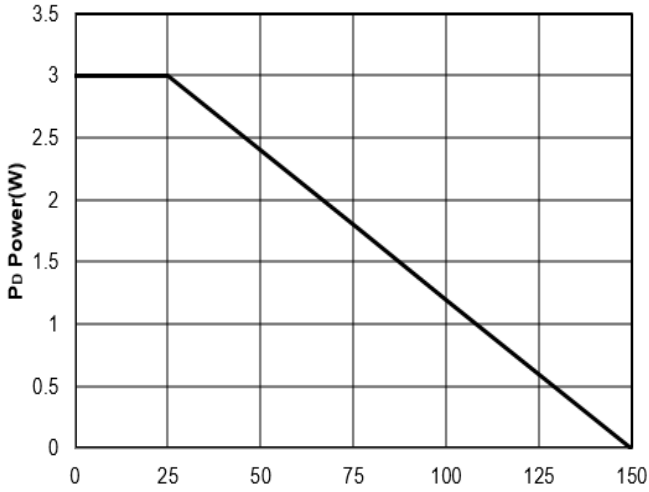


Figure1: Tj Junction Temperature (°C)

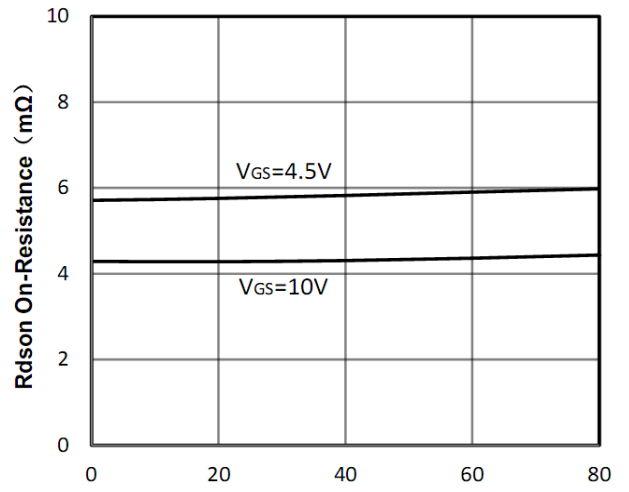


Figure2: Id Drain Current (A)

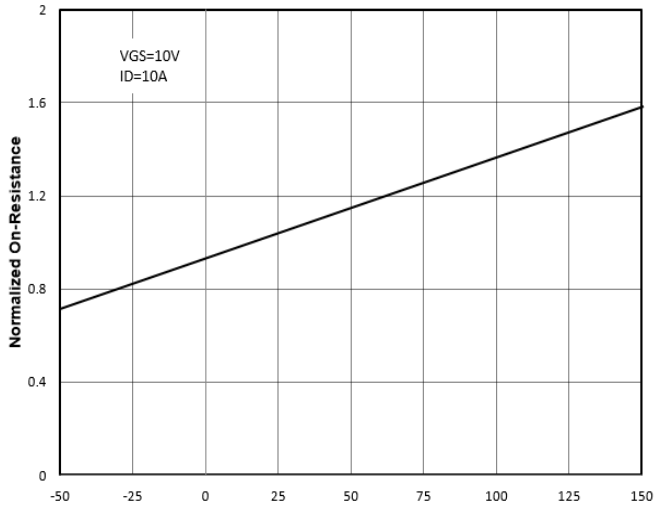


Figure3: Tj Junction Temperature (°C)

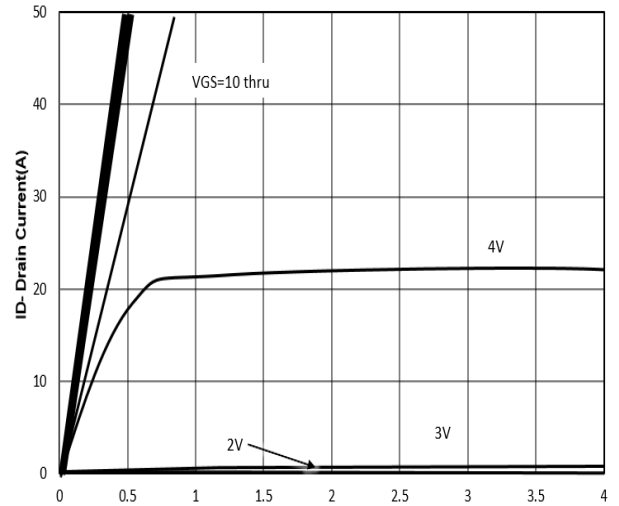


Figure4: Vds Drain-Source Voltage (V)

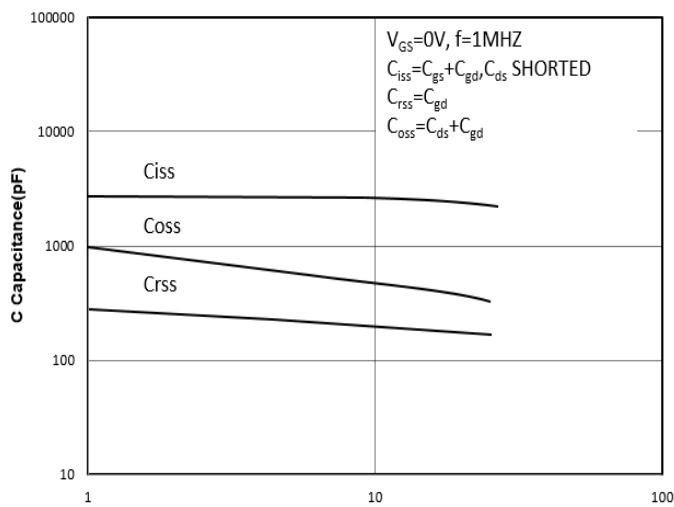


Figure5: Vds Draun-Source Voltage (V)

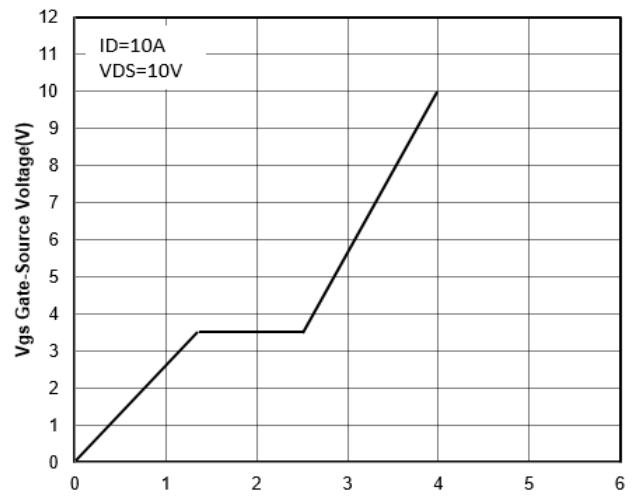


Figure6: Qg Gate Charge (nC)



30V/18A N-Channel Advanced Power MOSFET

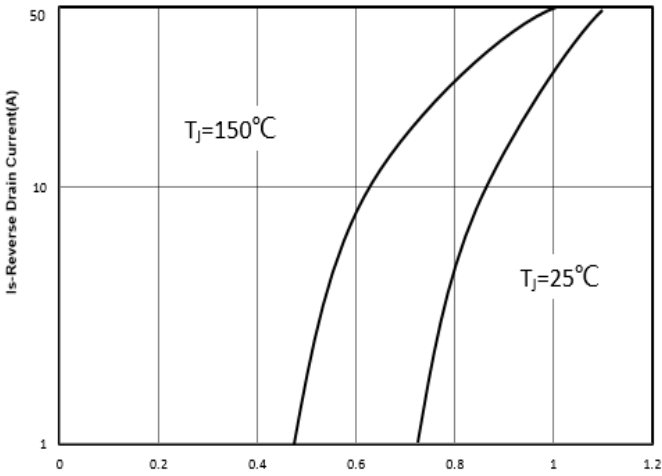


Figure7: Vsd Source-Drain Voltage (V)

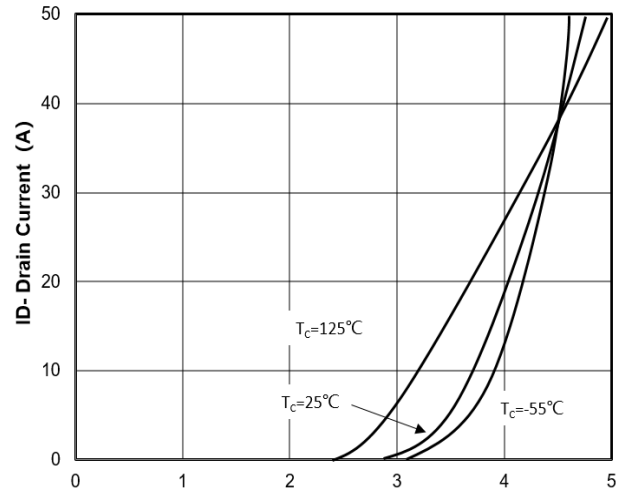


Figure8: Vgs Gate-Source Voltage (V)

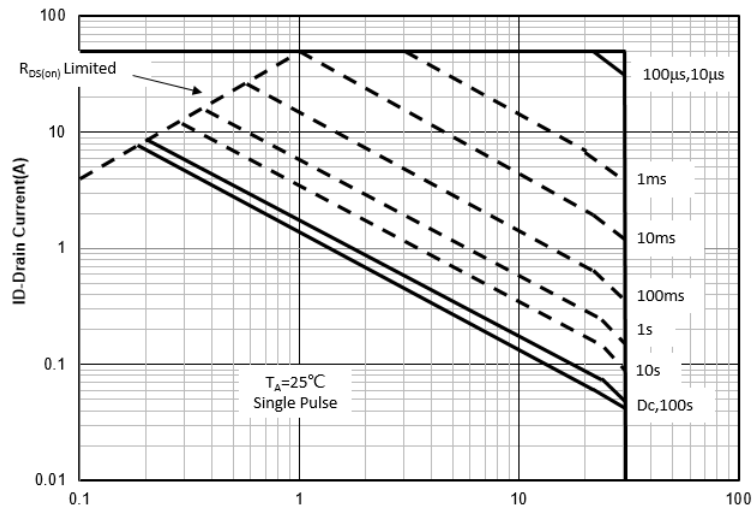


Figure9: Vds Drain-Source Voltage (V)

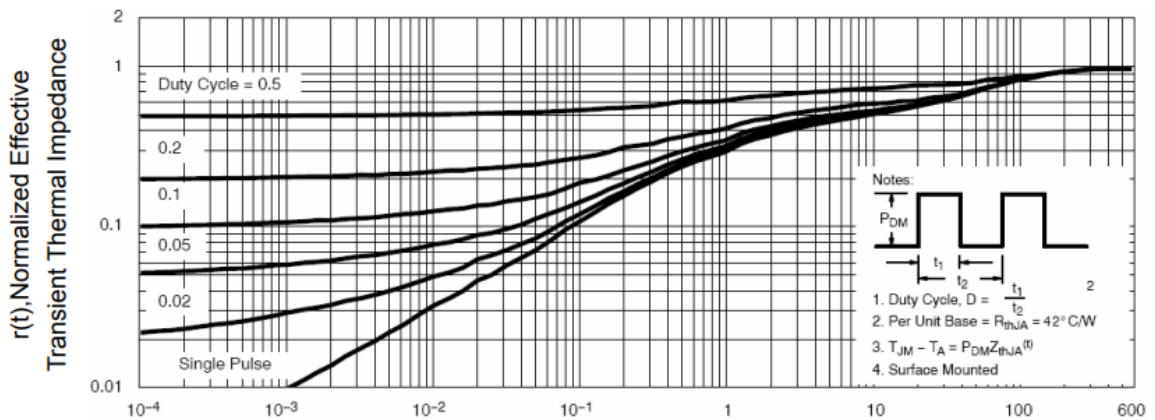
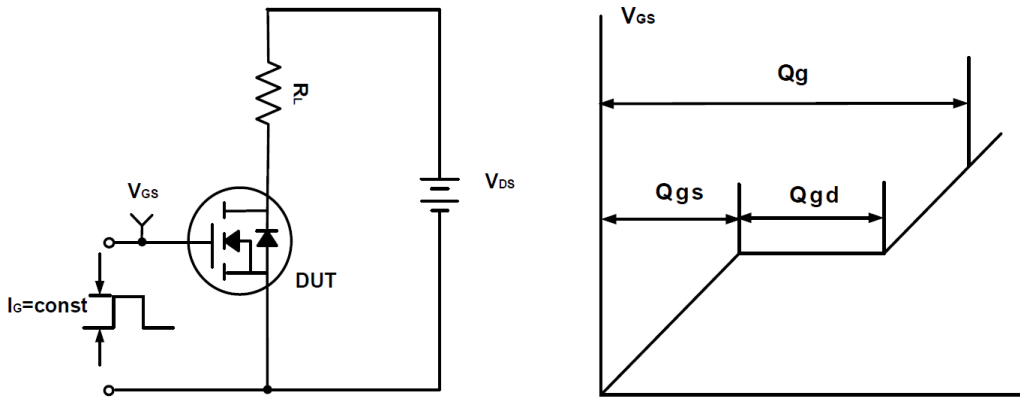
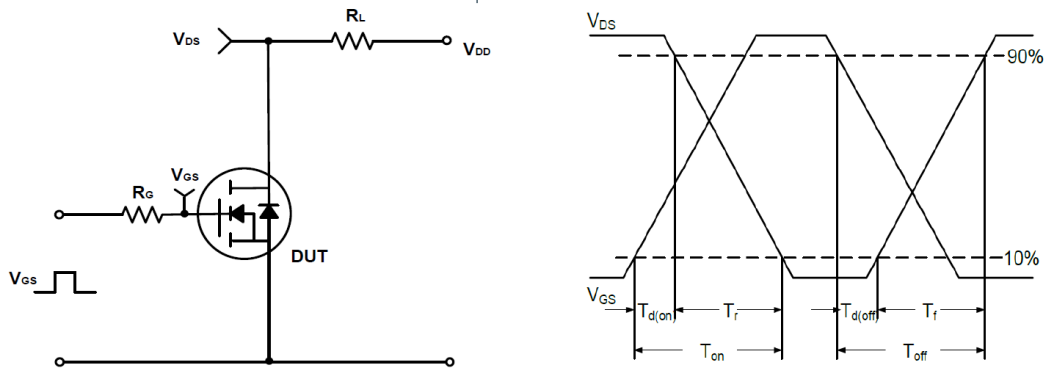
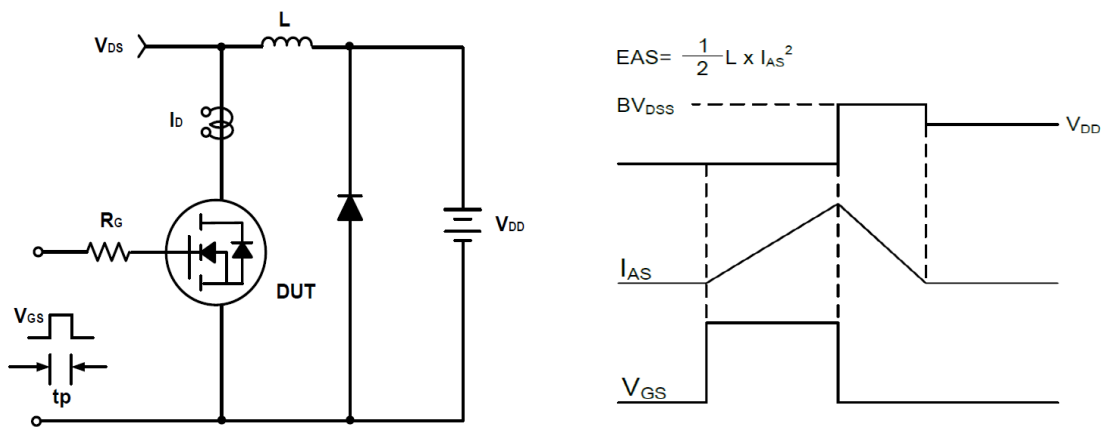
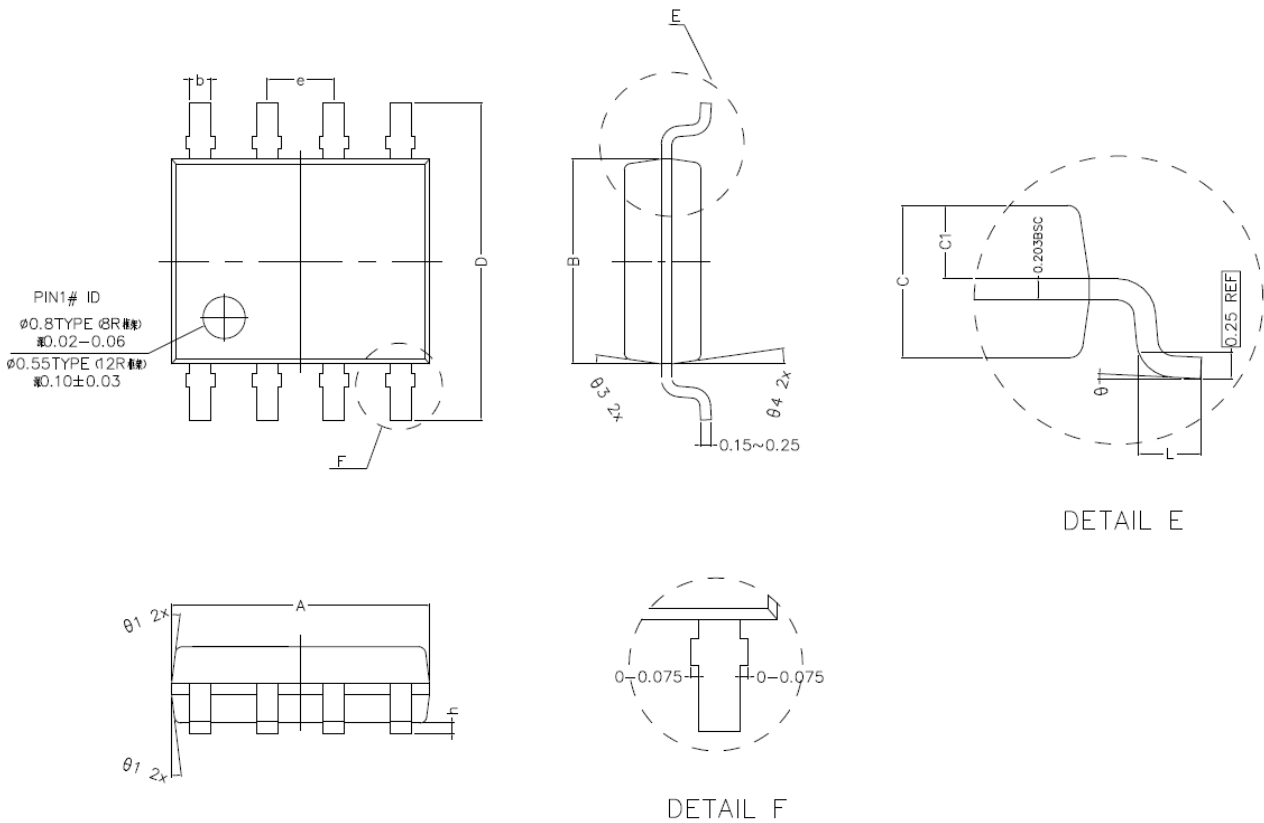


Figure10: Square Wave Pulse Duration (sec)

30V/18A N-Channel Advanced Power MOSFET
Test Circuit and Waveform:

Figure A Gate Charge Test Circuit & Waveforms

Figure B Switching Test Circuit & Waveforms

Figure C Unclamped Inductive Switching Circuit & Waveforms

30V/18A N-Channel Advanced Power MOSFET
SOP-8 Package Outline Dimensions (Units: mm)


COMMON DIMENSIONS (UNITS OF MEASURE IS mm)			
	MIN	NORMAL	MAX
A	4.800	4.900	5.000
B	3.800	3.900	4.000
C	1.350	1.450	1.550
C1	0.650	0.700	0.750
D	5.900	6.100	6.300
L	0.500	0.600	0.700
b	0.350	0.400	0.450
h	0.050	0.150	0.250
e	1.270TYPE		
θ_1	7° TYPE(8R)		12° TYPE(12R)
θ_2	7° TYPE(8R)		10° TYPE(12R)
θ_3	8° TYPE(8R)		12° TYPE(12R)
θ_4	8° TYPE(8R)		10° TYPE(12R)
θ	0° ~ 8°		