

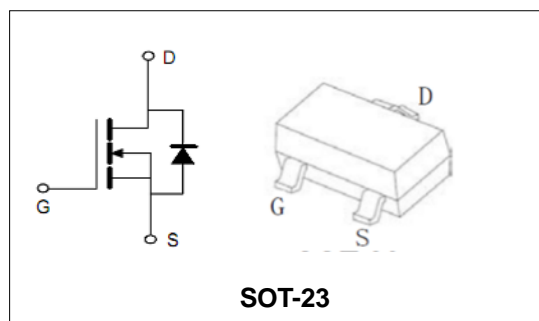
**50V/0.34A N-Channel Advanced Power MOSFET****Features**

- Trench Power MV MOSFET technology
- Voltage controlled small signal switch
- Low input Capacitance
- Fast Switching Speed
- Low Input / Output Leakage

BVDSS	50	V
ID	0.34	A
RDSON@VGS=4.5V	1.5	Ω
RDSON@VGS=10V	1.29	Ω

Applications

- Battery operated systems
- Solid-state relays
- Direct logic-level interface: TTL/CMOS

**Order Information**

Product	Package	Marking	Reel Size	Reel	Carton
BSS138	SOT-23	J1	7inch	3000PCS	180000PCS

Absolute Maximum Ratings

Symbol	Parameter	Rating	Unit	
Common Ratings (TC=25°C Unless Otherwise Noted)				
$V_{(BR)DSS}$	Drain-Source Breakdown Voltage	50	V	
V_{GS}	Gate-Source Voltage	±20	V	
T_J	Maximum Junction Temperature	150	°C	
T_{STG}	Storage Temperature Range	-55 to 150	°C	
I_S	Diode Continuous Forward Current	$T_A = 25^\circ\text{C}$	0.3	A
Mounted on Large Heat Sink				
I_{DM}	Pulse Drain Current Tested (Silicon Limit) (Note1)	$T_A = 25^\circ\text{C}$	1.2	A
I_D	Continuous Drain current	$T_A = 25^\circ\text{C}$	0.34	A
P_D	Maximum Power Dissipation	$T_A = 25^\circ\text{C}$	0.35	W
$R_{\theta JA}$	Thermal Resistance Junction-to-Ambient (Note2)		357	°C/W

**50V/0.34A N-Channel Advanced Power MOSFET**

Symbol	Parameter	Condition	Min.	Typ.	Max.	Unit
Static Electrical Characteristics @ T_J = 25°C (unless otherwise stated)						
V _{(BR)DSS}	Drain- Source Breakdown Voltage	VGS=0V ID=250μA	50	--	--	V
I _{DSS}	Zero Gate Voltage Drain current	VDS=50V,VGS=0V	--	--	1	μA
I _{GSS}	Gate-Body Leakage Current	VGS=±20V,VDS=0V	--	--	±100	nA
V _{GS(TH)}	Gate Threshold Voltage	VDS=VGS,ID=250μA	0.8	1.2	1.6	V
R _{DS(ON)}	Drain-Source On-State Resistance (Note3)	VGS=10V, ID=0.3A	--	1.29	2.5	Ω
		VGS=4.5V, ID=0.2A	--	1.5	3	Ω
Dynamic Electrical Characteristics @ T_J = 25°C (unless otherwise stated) (Note4)						
C _{iss}	Input Capacitance	VDS=25V, VGS=0V, F=1MHz	--	17.5	--	pF
C _{oss}	Output Capacitance		--	11.5	--	pF
C _{rss}	Reverse Transfer Capacitance		--	6.5	--	pF
Q _g	Total Gate Charge	VGS=10V, VDS=25V, F=1MHz	--	1.7	2.4	nC
Switching Characteristics (Note4)						
t _{d(on)}	Turn-on Delay Time	VDS=25V, ID=0.3A, RG=6Ω, VGS=10V	--	5	--	nS
t _r	Turn-on Rise Time		--	18	--	nS
t _{d(off)}	Turn-off Delay Time		--	36	--	nS
t _f	Turn-off Fall Time		--	14	--	nS
Source- Drain Diode Characteristics @ T_J = 25°C (unless otherwise stated)						
V _{SD}	Forward on voltage	IS=0.3A,VGS=0V	--	--	1.2	V

Note:

1. Repetitive Rating: Pulse width limited by maximum junction temperature.
2. Surface Mounted on FR4 Board, t ≤ 10 sec.
3. Pulse Test: pulse width ≤ 300 us, duty cycle ≤ 2%.
4. Guranteed by design, not subject to production testing.



50V/0.34A N-Channel Advanced Power MOSFET

Typical Characteristics

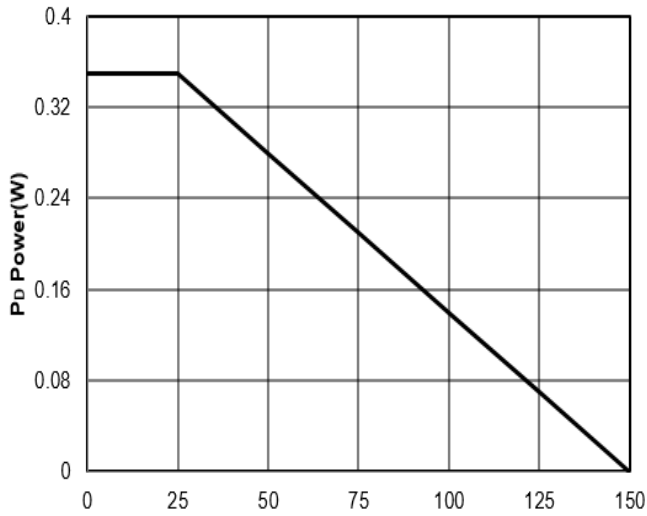


Figure1: T_J Junction Temperature (°C)

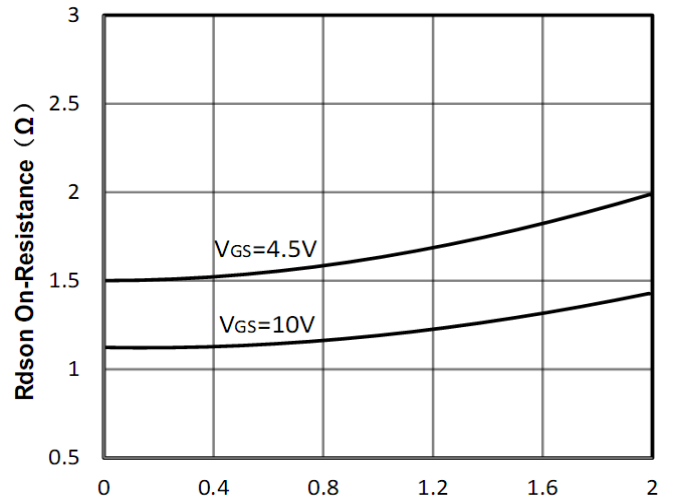


Figure2: I_D Drain Current (A)

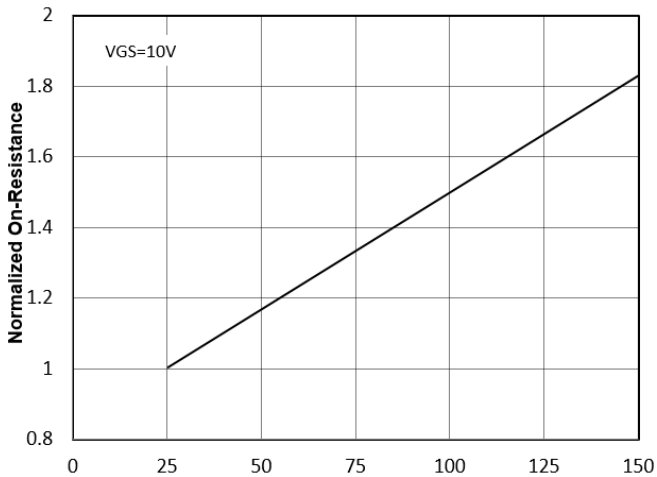


Figure3: T_J Junction Temperature (°C)

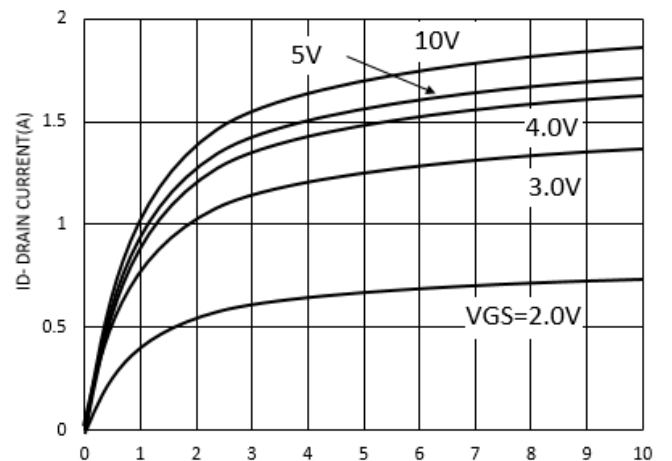


Figure4: V_{DS} Drain-Source Voltage (V)

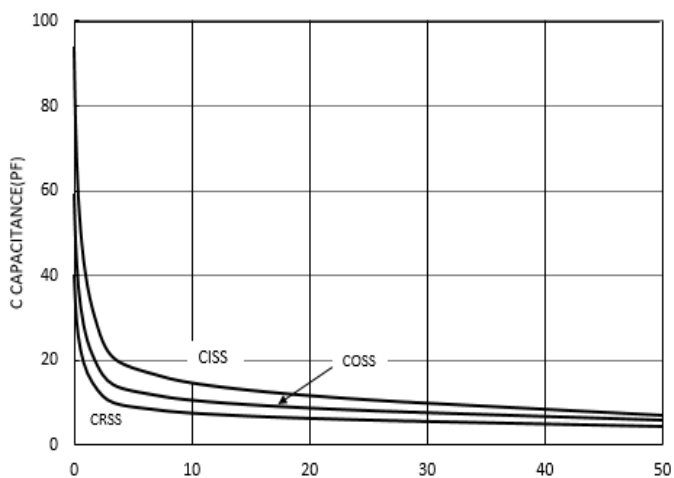


Figure5: V_{DS} Drain-Source Voltage (V)

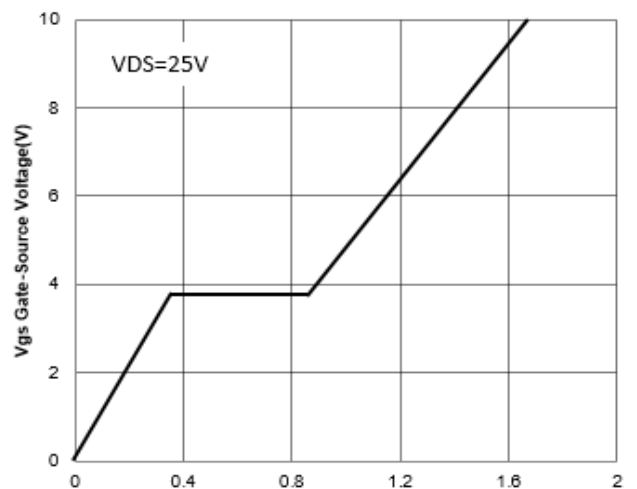


Figure6: Q_g Gate Charge (nC)



50V/0.34A N-Channel Advanced Power MOSFET

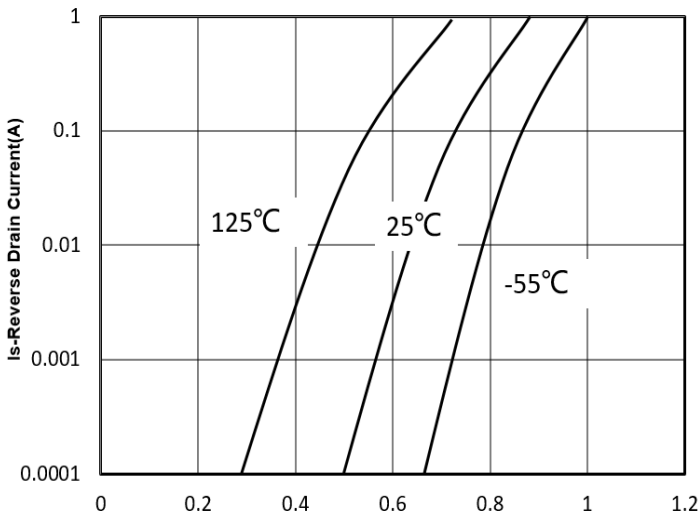


Figure7: Vsd Source-Drain Voltage (V)

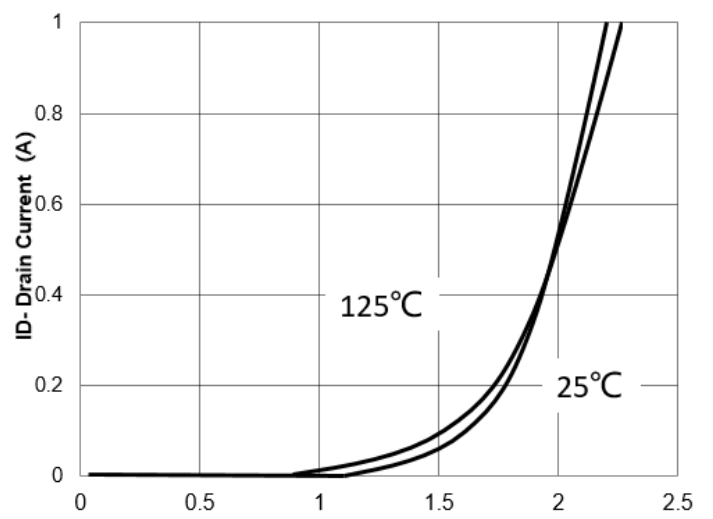


Figure8: Vgs Gate-Source Voltage (V)

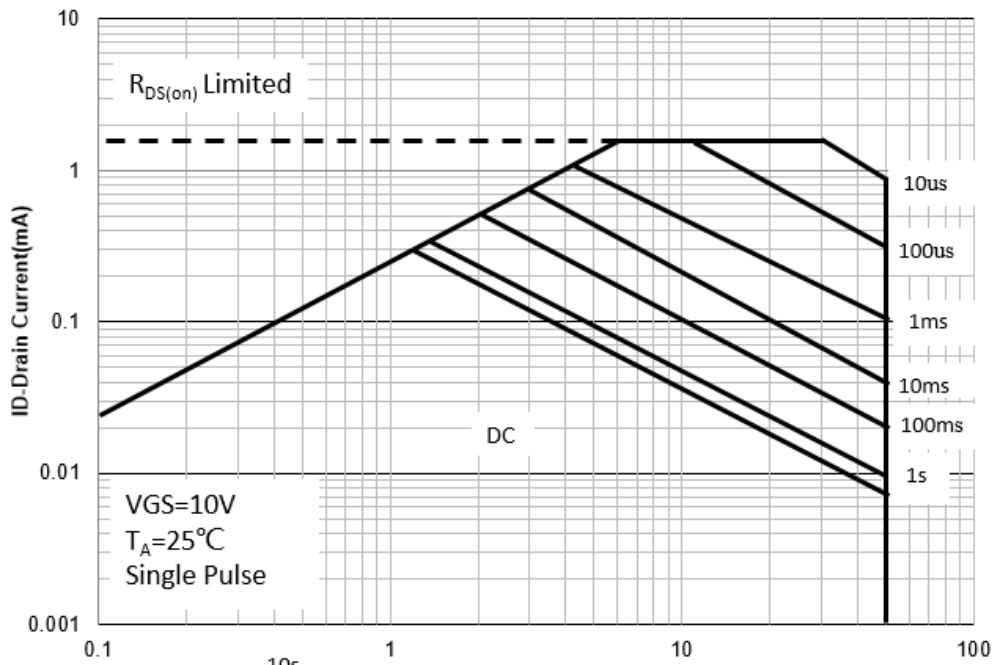


Figure9: Vsd Drain-Source Voltage (V)

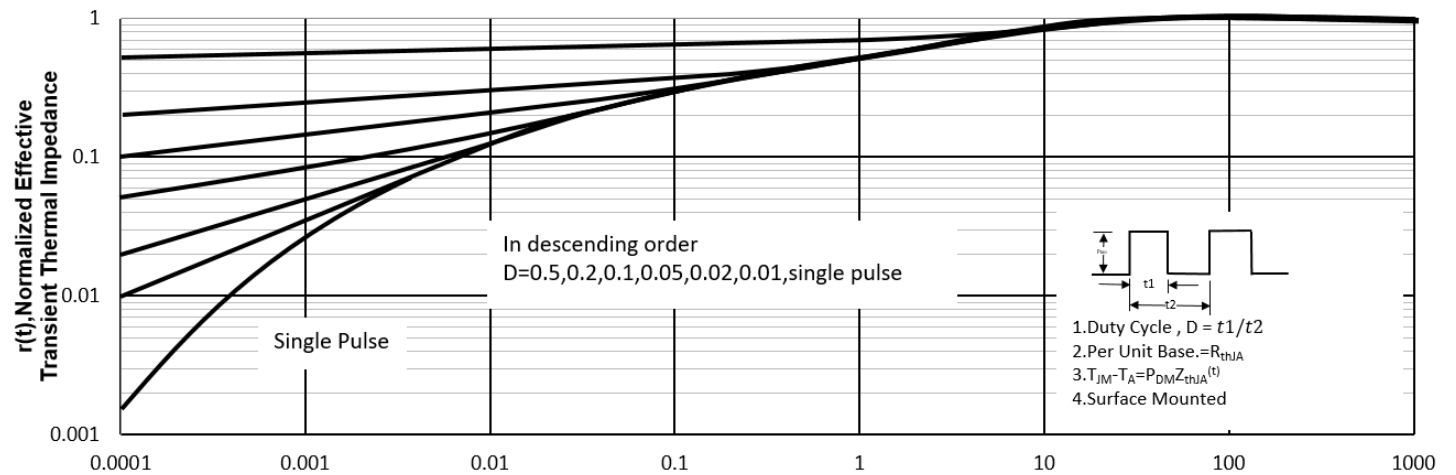
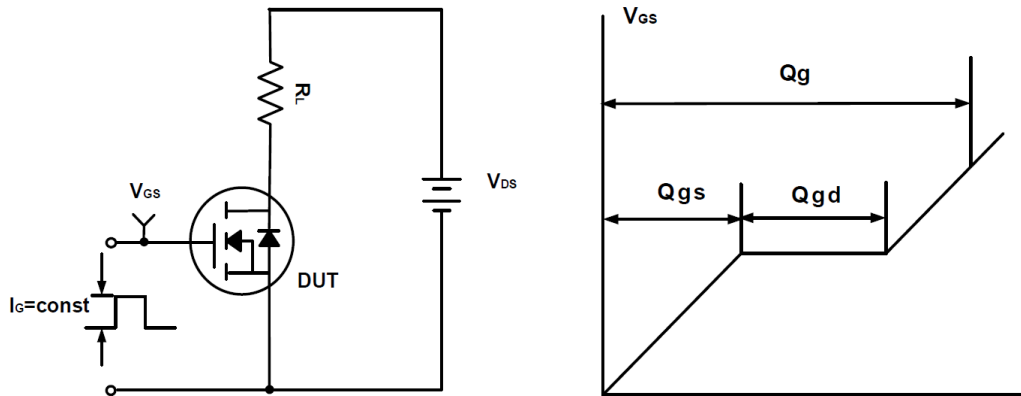
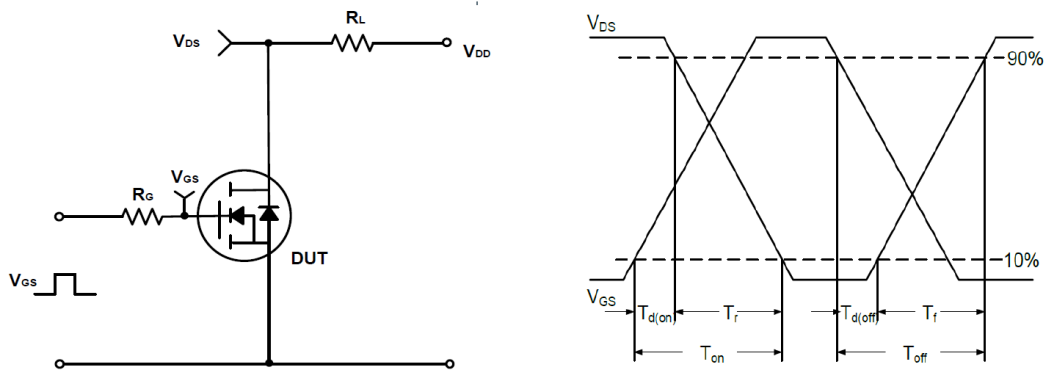
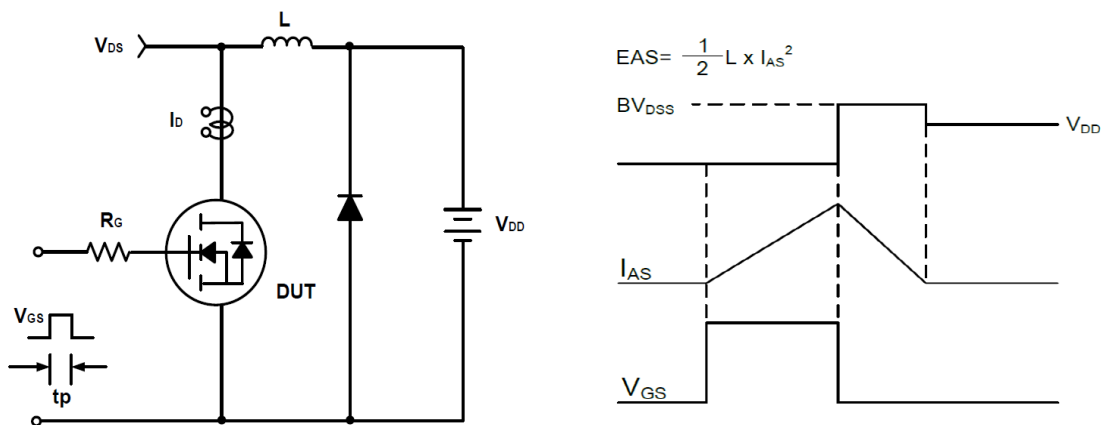


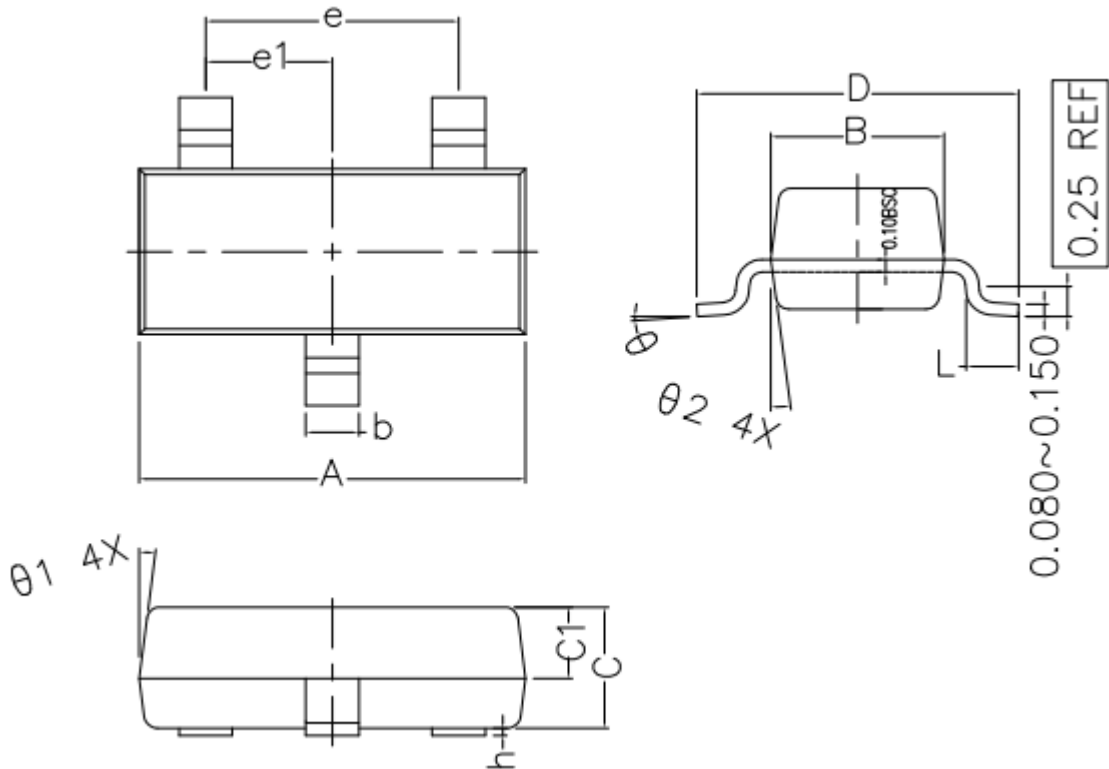
Figure10: Square Wave Pulse Duration (sec)

50V/0.34A N-Channel Advanced Power MOSFET
Test Circuit and Waveform:

Figure A Gate Charge Test Circuit & Waveforms

Figure B Switching Test Circuit & Waveforms

Figure C Unclamped Inductive Switching Circuit & Waveforms



50V/0.34A N-Channel Advanced Power MOSFET

SOT-23 Package Outline Dimensions (Units: mm)



COMMON DIMENSIONS (UNITS OF MEASURE IS mm)			
	MIN	NORMAL	MAX
A	2.800	2.900	3.000
B	1.200	1.300	1.400
C	0.900	1.000	1.100
C1	0.500	0.550	0.600
D	2.250	2.400	2.550
L	0.300	0.400	0.500
h	0.010	0.050	0.100
b	0.300	0.400	0.500
e	1.90 TYPE		
e1	0.95 TYPE		
theta1	7° TYPE		
theta2	7° TYPE		
theta	0° ~ 7°		