



40V/18A N-Channel Advanced Power MOSFET

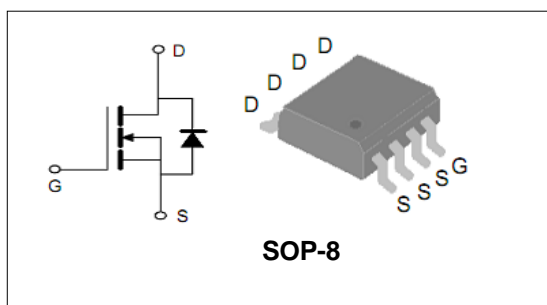
Features

- High density cell design for ultra low Rdson
- Fully characterized Avalanche voltage and current

BVDSS	40	V
ID	18	A
RDSON@VGS=10V	5.6	mΩ
RDSON@VGS=4.5V	6.2	mΩ

Applications

- Power switching application
- Hard switched and high frequency circuits
- Uninterruptible power supply



Order Information

Product	Package	Marking	Reel Size	Reel	Carton
PTS9468	SOP-8	PTS9468	13inch	3000PCS	48000PCS

Absolute Maximum Ratings

Symbol	Parameter	Rating	Unit
Common Ratings (TC=25°C Unless Otherwise Noted)			
$V_{(BR)DSS}$	Drain-Source Breakdown Voltage	40	V
V_{GS}	Gate-Source Voltage	±20	V
T_J	Maximum Junction Temperature	150	°C
T_{STG}	Storage Temperature Range	-55 to 150	°C
I_S	Diode Continuous Forward Current	18	A
		TA =25°C	
Mounted on Large Heat Sink			
I_{DM}	Pulse Drain Current Tested (Silicon Limit) (Note1)	80	A
		TA =25°C	
I_D	Continuous Drain current	18	A
		TA =25°C	
P_D	Maximum Power Dissipation	3.1	W
		TA =25°C	
$R_{θJA}$	Thermal Resistance Junction-to-Ambient (Note2)	42	°C/W



40V/18A N-Channel Advanced Power MOSFET

Symbol	Parameter	Condition	Min.	Typ.	Max.	Unit
Static Electrical Characteristics @ T_J = 25°C (unless otherwise stated)						
V _{(BR)DSS}	Drain- Source Breakdown Voltage	VGS=0V ID=250μA	40	--	--	V
I _{DSS}	Zero Gate Voltage Drain current	VDS=40V,VGS=0V	--	--	1	μA
I _{GSS}	Gate-Body Leakage Current	VGS=±20V,VDS=0V	--	--	±100	nA
V _{GS(TH)}	Gate Threshold Voltage	VDS=VGS,ID=250μA	1	--	3	V
R _{DS(ON)}	Drain-Source On-State Resistance (Note3)	VGS=10V, ID=15A	--	5.6	7	mΩ
		VGS=4.5V, ID=11A	--	6.2	10	
G _{FS}	Forward Transconductance	VDS=15V,ID=10V	--	40	--	S
Dynamic Electrical Characteristics @ T_J = 25°C (unless otherwise stated) (Note4)						
C _{iss}	Input Capacitance	VDS=20V, VGS=0V, F=1MHz	--	3091	--	pF
C _{oss}	Output Capacitance		--	327	--	pF
C _{rss}	Reverse Transfer Capacitance		--	272	--	pF
Q _g	Total Gate Charge	VDS=20V, ID=10A, VGS=10V	--	62	--	nC
Q _{gs}	Gate-Source Charge		--	7	--	nC
Q _{gd}	Gate-Drain Charge		--	19	--	nC
Switching Characteristics (Note4)						
t _{d(on)}	Turn-on Delay Time	VDS=20V, ID=10A, RG=2.7Ω, VGS=10V	--	7	--	nS
t _r	Turn-on Rise Time		--	20	--	nS
t _{d(off)}	Turn-off Delay Time		--	39	--	nS
t _f	Turn-off Fall Time		--	19	--	nS
Source- Drain Diode Characteristics @ T_J = 25°C (unless otherwise stated)						
V _{SD}	Forward on voltage	IS=10A,VGS=0V	--	--	1.2	V

Note:

1. Repetitive Rating: Pulse width limited by maximum junction temperature.
2. Surface Mounted on FR4 Board, t ≤ 10 sec.
3. Pulse Test: pulse width ≤ 300 us, duty cycle ≤ 2%.
4. Guranteed by design, not subject to production testing.



40V/18A N-Channel Advanced Power MOSFET

Typical Characteristics

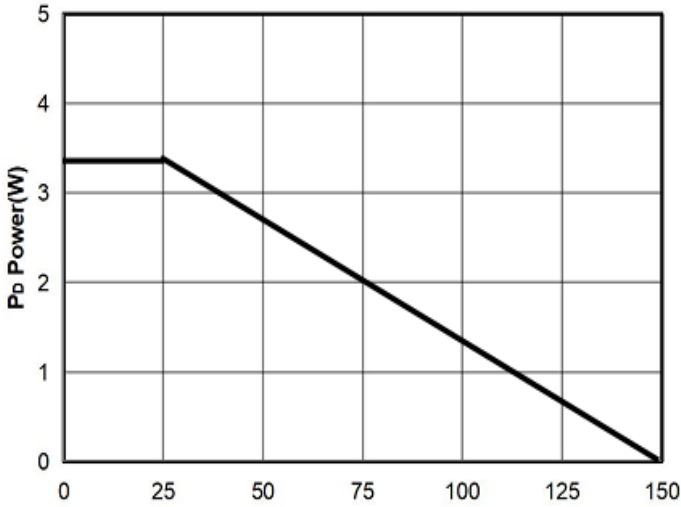


Figure1: T_j Junction Temperature (°C)

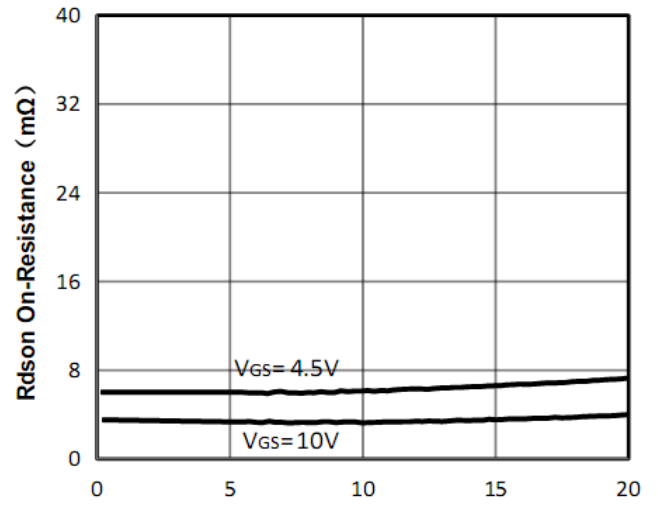


Figure2: I_d Drain Current (A)

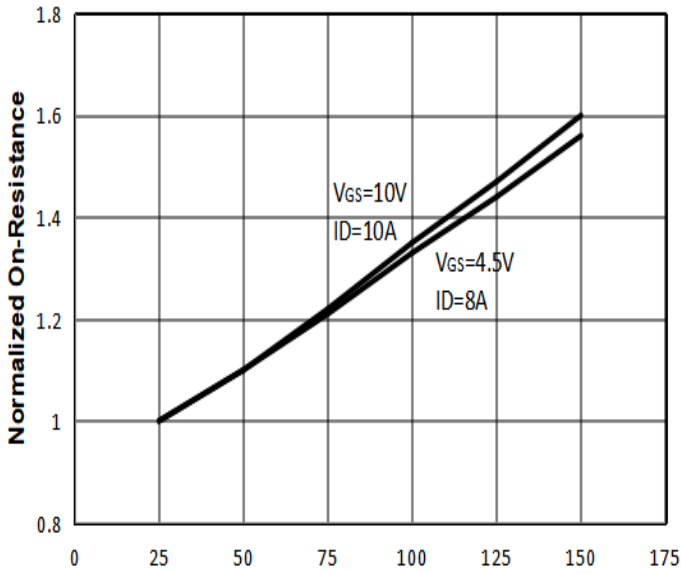


Figure3: T_j Junction Temperature (°C)

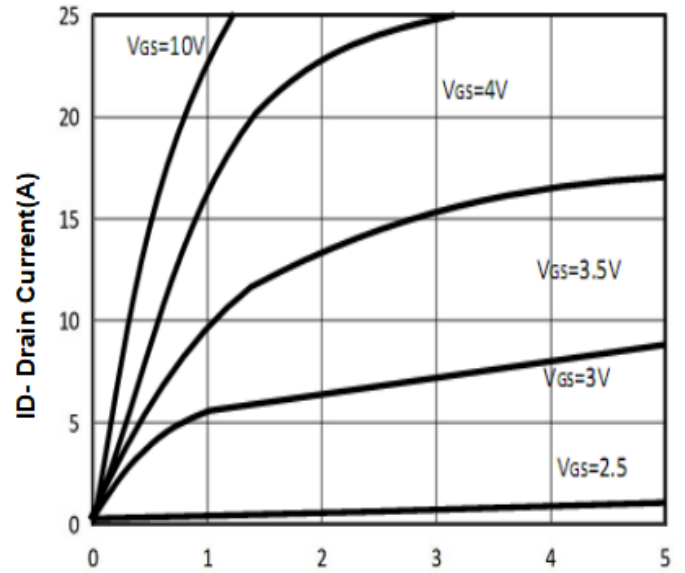


Figure4: V_{ds} Drain-Source Voltage (V)

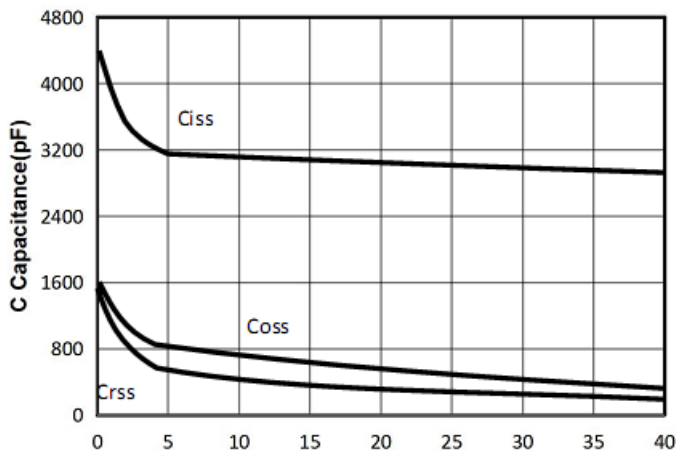


Figure5: V_{ds} Draun-Source Voltage (V)

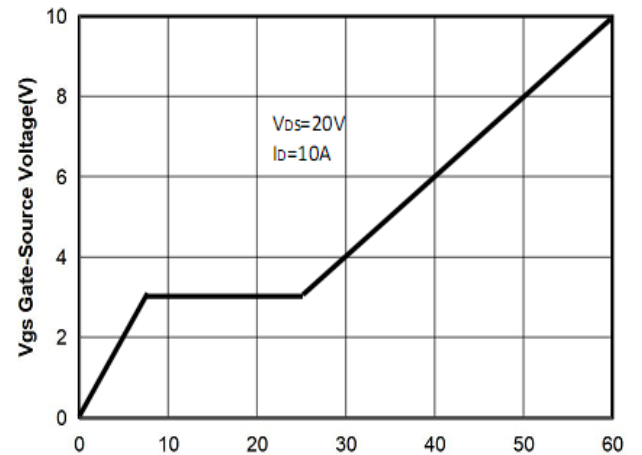


Figure6: Q_g Gate Charge (nC)



40V/18A N-Channel Advanced Power MOSFET

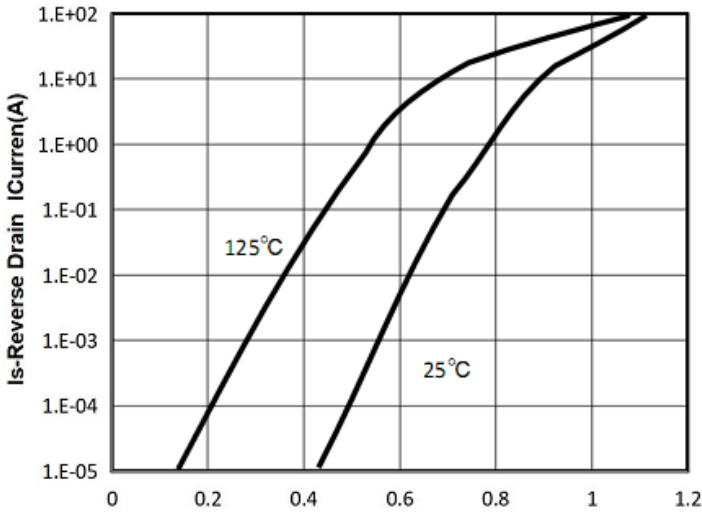


Figure7: Vsd Source-Drain Voltage (V)

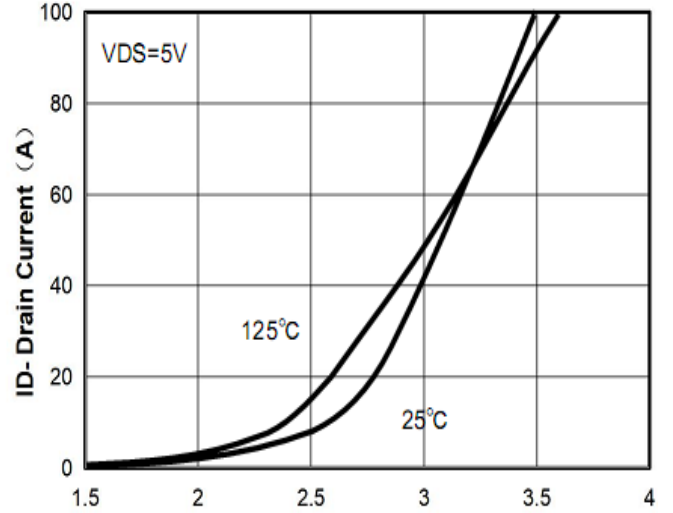


Figure8: Vgs Gate-Source Voltage (V)

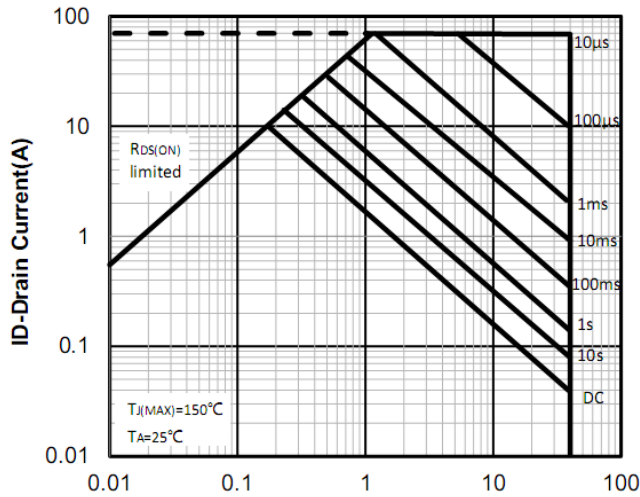


Figure9: VDS Drain-Source Voltage (V)

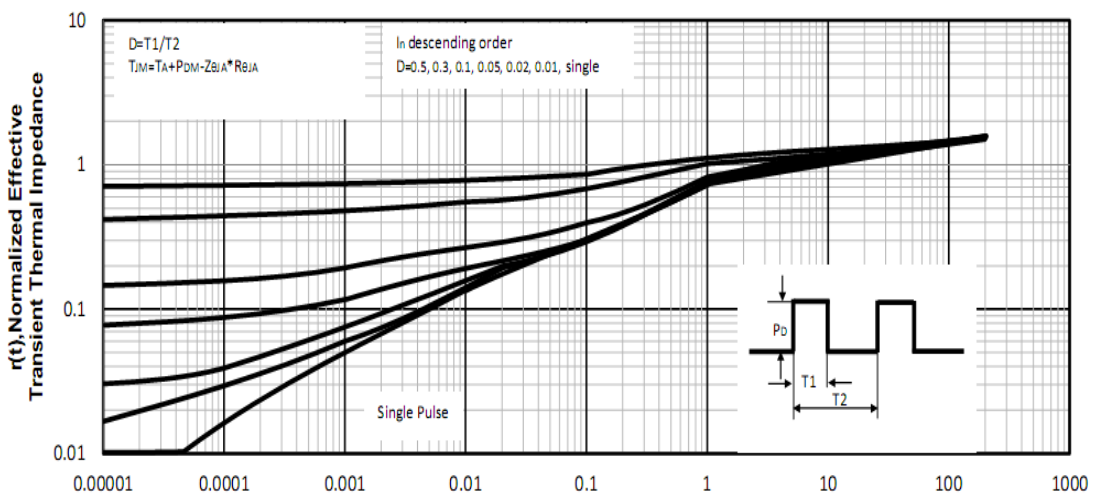


Figure10: Square Wave Pulse Duration (sec)

40V/18A N-Channel Advanced Power MOSFET

Test Circuit and Waveform:

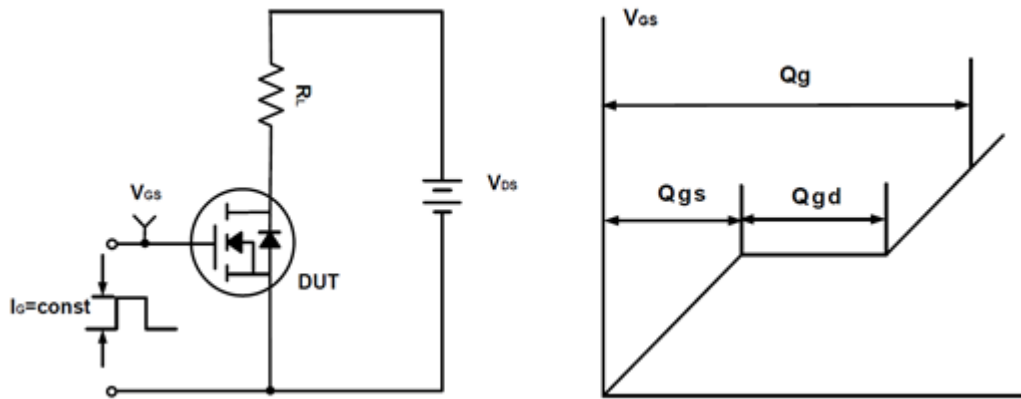


Figure A Gate Charge Test Circuit & Waveforms

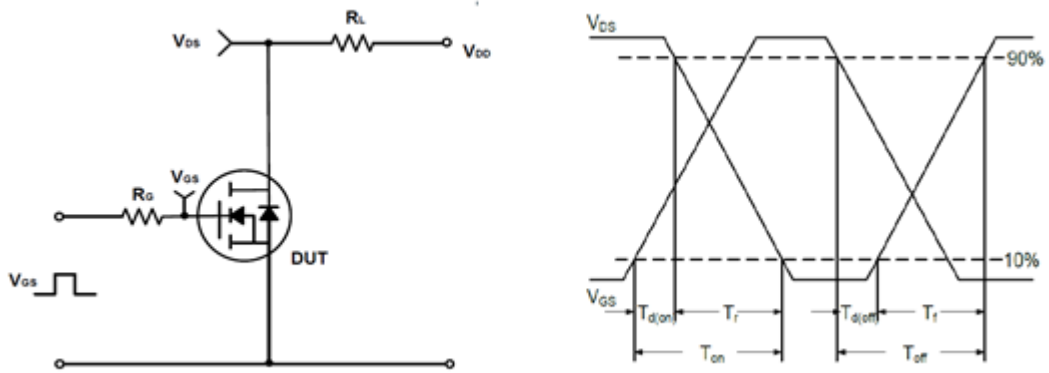


Figure B Switching Test Circuit & Waveforms

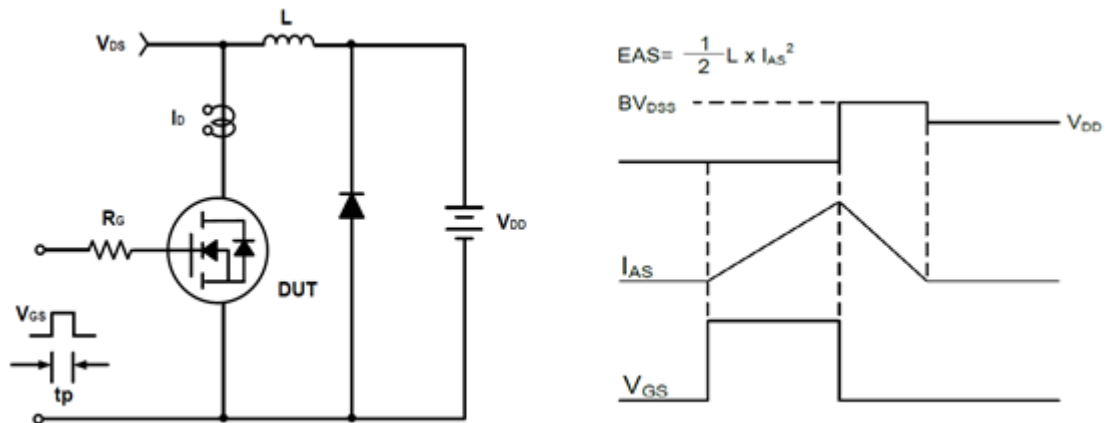
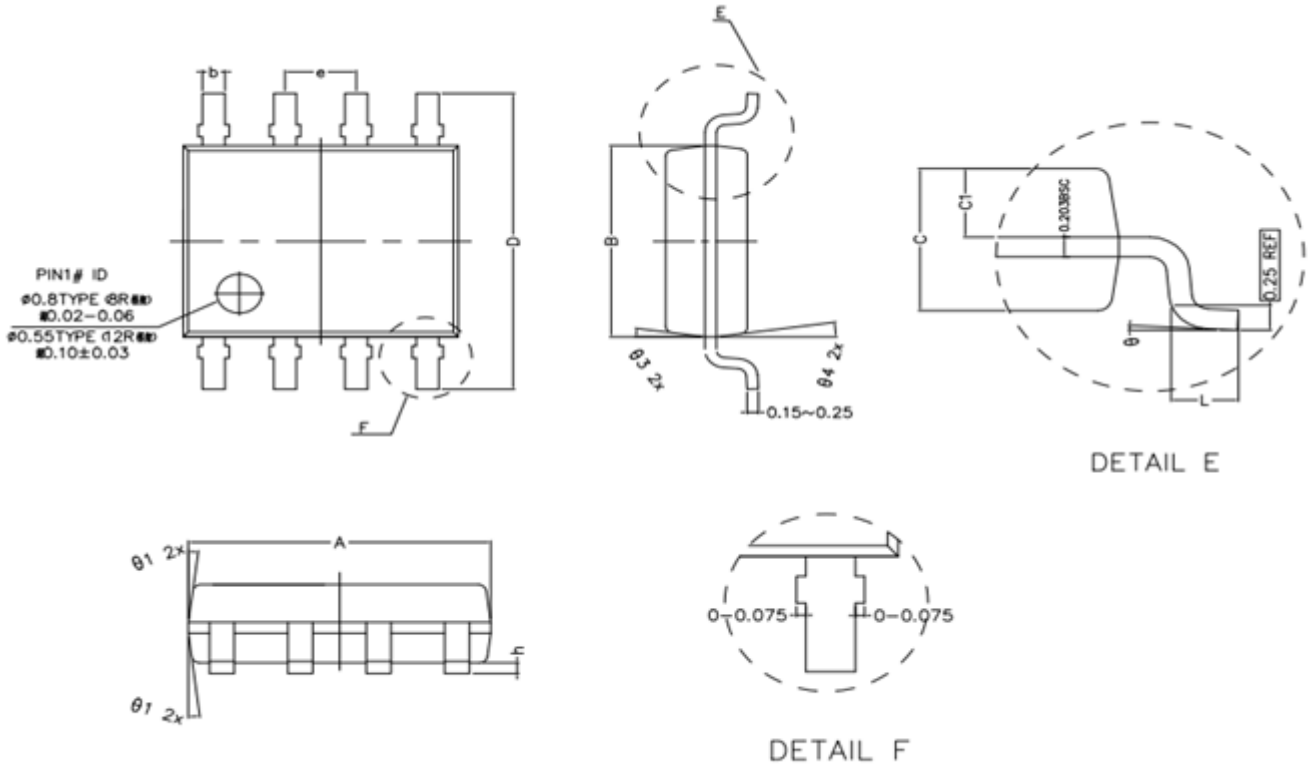


Figure C Unclamped Inductive Switching Circuit & Waveforms

40V/18A N-Channel Advanced Power MOSFET
SOP-8 Package Outline Dimensions (Units: mm)


COMMON DIMENSIONS (UNITS OF MEASURE IS mm)			
	MIN	NORMAL	MAX
A	4.800	4.900	5.000
B	3.800	3.900	4.000
C	1.350	1.450	1.550
C1	0.650	0.700	0.750
D	5.900	6.100	6.300
L	0.500	0.600	0.700
b	0.350	0.400	0.450
h	0.050	0.150	0.250
e	1.270TYPE		
θ ₁	7° TYPE(8R)		12° TYPE(12R)
θ ₂	7° TYPE(8R)		10° TYPE(12R)
θ ₃	8° TYPE(8R)		12° TYPE(12R)
θ ₄	8° TYPE(8R)		10° TYPE(12R)
θ	0° ~ 8°		